



**Subsurface Exploration and Pavement Analysis
Proposed New Streets
Blackwell Tract
F.M. 1044
New Braunfels, Texas**

InTEC Project No. S241199-P
August 21, 2024



11467 Huebner Road, Suite 225
San Antonio, Texas 78230

Integrated Testing and Engineering Company of San Antonio, L.P.

12028 Radium, San Antonio, Texas 78216—Phone: (210) 525 9033—Fax: (210) 525 9032—www.InTEC-SA.com



Integrated Testing and Engineering Company of San Antonio, L.P.

Geotechnical & Environmental Engineering • Construction Services • Geologic Assessment

August 21, 2024

Beazer Homes

11467 Huebner Road, Suite 225

San Antonio, Texas 78230

Attention: **Mr. Calvin New**

Email: william.new@beazer.com

Re: Subsurface Exploration and Pavement Analysis

Proposed New Streets

Blackwell Tract

F.M. 1044

New Braunfels, Texas

InTEC Project No. S241199-P

Ladies & Gentlemen:

Integrated Testing and Engineering Company of San Antonio (InTEC) has completed a **subsurface exploration and pavement thickness evaluation report** at the above referenced project site. The results of the exploration are presented in this project.

We appreciate and wish to thank you for the opportunity to be of service to you on this project. If we can be of additional assistance during the foundations explorations, and materials testing-quality control phase of construction, please call us.

Sincerely,

InTEC of San Antonio

Murali Subramaniam, Ph. D., P.E.

Vice President



InTEC of SAN ANTONIO
F-7623

08/23/2024

EXECUTIVE SUMMARY

The soil conditions at the location of **proposed new streets at the Blackwell Tract at F.M. 1044 in New Braunfels, Texas** were obtained from **12 test pits excavated to depths of 4 to 9 feet**. Laboratory tests were performed on selected specimens to evaluate the engineering characteristics of various soil strata encountered in the test pits.

- The results of our exploration, laboratory testing and engineering evaluation indicate the underlying clays at this site are **moderately plastic to highly plastic in character**.
- Potential vertical movements on the order of **3 to 5 inches** was estimated.
- The proposed streets at this site may be supported by flexible asphalt pavements.
- Cut and fill information is not available for review at this time. At the time of construction, if the final street subgrade consists of material other than encountered in our test pits, the recommendations may have to be revised.
- Pavement section recommendations for Residential Local and Collector type streets are presented.
- Subgrade stabilization is recommended. **Subgrade soils should be tested for soil sulfate content prior to lime application. If elevated levels of sulfate are encountered, then other options should be considered.**
- Ground water was not encountered in the test pits at the time of excavation.

Detailed descriptions of subsurface conditions, engineering analysis, and design recommendations are included in this report.

Summary Table A – Summary of Recommended Options – Flexible Pavement **
Minimum Flexible Pavement Recommendations – CBR = 1.9 **

Classification	Hot Mix Asphaltic Concrete Thickness, Inches	Hot Mix Asphaltic Concrete Thickness, Inches	Aggregate Base Thickness, Inches	Geogrid	Subgrade Thickness, Inches	Structural Number
Residential Local	3.00 Type D	-	12.00	No	6" LS	3.48
	3.00 Type D	5.00 Type B	-	No	6" LS	3.50
Residential Collector	2.00 Type D	2.00 Type C	16.00	No	8" LS	4.64
	3.00 Type D	-	15.50	Yes	8" LS	4.59
	3.00 Type D	8.00 Type B	-	No	8" LS	4.68

Subgrade Notes (*):

- Cut and fill information is not available at this time.
- If fill is used to raise the grade, the approved fill material should have a minimum CBR value of 2.0. The lime application rate should be re-evaluated for the fill material and the soil sulfate content should be tested. The material should be placed as per applicable city guidelines.
- The subgrade, prior to placement of fill, should be proof rolled to identify weak areas. Any identified weak areas should be recompacted prior to subgrade stabilization.
- **6" LS / 8" LS:** Subgrade soils lime stabilized to a depth of 6 or 8 inches as noted above. An application rate of 8 percent by weight is recommended:
 - **6" LS:** 35 lbs per sq yard for 6 inch depth of stabilization
 - **8" LS:** 46 lbs per sq yard for 8 inch depth of stabilization
- **Subgrade soils should be tested for soil sulfate content prior to lime application. If elevated levels of sulfate are encountered, then other options should be considered.**

General Notes (**):

- Input parameters are shown in Table No. 3 (Summary Table B). Please call us to provide pavement recommendations, if needed, for different input values.
- If repetitive truck or heavy truck traffic is anticipated, please contact us for revised pavement recommendations.
- Pavement section recommendations are based on the CBR value and the input parameters. The recommendations are not based on the shrink / swell characteristics of the underlying soils. The pavement can experience cracking and deformation due to shrinkage and swelling characteristics of the soils as described in the Vertical Movements section of this report.
- If water is allowed to get underneath the asphalt or if moisture content of the base or subgrade soil changes significantly, then pavement distress will occur.
 - Minimizing moisture penetration underneath the asphalt will lower the chances of pavement distress.

- Significant pavement distress, more often caused by water getting underneath the asphalt, is noted during home construction.
- Aggregate base extending beyond the back of the curb increases the likelihood of water getting underneath the asphalt. Moisture penetration may be reduced by using a vertical moisture barrier such as curb extending a minimum of 6 inches into subgrade, compacted clays backfilled against the curbs, or plastic sheet extending past base.
- In addition, water should not be allowed to get underneath the pavement section at the time of home construction.

Geogrid:

- Geogrid, Tensar Triax TX5 or better, should be installed as per manufacturer’s guidelines on top of moisture conditioned subgrade or stabilized subgrade.

Subgrade Verification:

- At the time of construction, the final pavement subgrade should be observed / verified by a representative of InTEC.

Summary Table B – Input Parameters used in Asphalt Pavement Section Calculation

	Residential Local	Residential Collector
ESAL	ESAL= 100,000	ESAL= 1,000,000
Reliability Level	R-70	R-90
Initial and Terminal Serviceability	4.2 and 2.0	4.2 and 2.0
Standard Deviation	0.45	0.45
Service Life	20 years	20 years
Minimum HMAC	3 inches	3 inches
Minimum Aggregate Base Thickness	12 inches	15 inches
If heavy truck traffic is anticipated, please contact InTEC with anticipated traffic data for revised recommendations.		

See City Details ST-007 and ST-011

Summary Table C – Summary of Pavement Materials

Pavement Section	Material	Treatment	Thickness
Subgrade	Clays	Moisture conditioned or Lime treated subgrade (tested for soil sulfate content)	As recommended in pavement options (6 or 8 inches)
Base	TxDOT Item 247 A1-A2	Compacted	As recommended in pavement options (maximum of 6 inches per lift)
Asphalt	Type B, D	Compacted	As recommended in pavement options
Geogrid	Tensar Triax TX5	Installed as per manufacturer's guidelines	One layer

Summary Table D – Applicable procedures and minimum density and moisture percentages

Pavement Material	Procedure	Density	Moisture Content
Lime treated Subgrade	Tex 121e	Atleast 95 percent of the maximum dry density	Between optimum minus 1 and optimum plus 3 percent of the optimum moisture content
Compacted subgrade	Tex 114e	Atleast 95 percent of the maximum dry density	Between optimum and optimum plus 4
Aggregate Base TxDOT Item 247 A1-A2 (maximum 6 inch thick lift)	Tex 113e	Minimum 95 percent of the maximum dry density	Between optimum minus 2 and optimum plus 2 of the optimum moisture content
Asphalt HMAC Type B, D	TxDOT Item 340 and 341	Between 92 and 95 percent of the Maximum (Rice) Theoretical Specific Gravity	N/A

See report for more details

TABLE OF CONTENTS

INTRODUCTION	7
General	7
Purpose and Scope of Services	7
Project Description	8
SUBSURFACE EXPLORATION.....	9
Scope	9
Excavating and Sampling	9
Water Level Measurements	9
Field Logs	9
Presentation of the Data	10
LABORATORY TESTING PROGRAM	11
Purpose	11
Laboratory Tests	11
Presentation of the Data	11
GENERAL SUBSURFACE CONDITIONS.....	12
Soil Stratigraphy.....	12
Ground Water Observations	12
PAVEMENTS ON EXPANSIVE SOIL.....	14
General	14
Evaluation of the Shrink-Swell Potential of the Soils	14
The Mechanism of Swelling.....	14
Initial Moisture Condition and Moisture Variation	14
Man Made Conditions That Can Be Altered	15
Summation	17
DESIGN ENGINEERING ANALYSIS.....	18
Pavement Design Considerations	18
Vertical Movements	18
Method to Lower Vertical Movements	19
PAVEMENT GUIDELINES	20
General	20
Pavement Design	20
“Alligator” Type Cracks	21
Longitudinal Cracks.....	21
Periodic Maintenance.....	22
Pavement Sections	22
Subgrade Preparation.....	24
Base Course	25
Asphaltic Concrete.....	25
Perimeter Drainage	25
CONSTRUCTION GUIDELINES.....	26
Construction Monitoring	26
Site Preparation	26
Compaction.....	26
Proof Rolling	27
Select Fill.....	27

Ground Water	28
Drainage.....	28
Temporary Drainage Measures	28
Temporary Construction Slopes	28
Permanent Slopes.....	29
Time of Construction	29
Control Testing and Field Observation	29
DRAINAGE AND MAINTENANCE	30
Dry Periods	31
LIMITATIONS	32

INTRODUCTION

General

This report presents the results of our **subsurface exploration and pavement analysis for proposed new streets at the Blackwell Tract at F.M. 1044 in New Braunfels, Texas**. This project was authorized by **Mr. Calvin New**.

Purpose and Scope of Services

The purpose of our subsurface investigation was to evaluate the site's subsurface and ground water conditions and provide pavement thickness recommendations for the planning and development phases of the project. Our scope of services includes the following:

- 1) excavating and sampling of 12 test pits – to depths of 4 to 9 feet;
- 2) observing the ground water conditions during excavation operations;
- 3) performing laboratory tests such as Atterberg limits, California Bearing Ratio (C.B.R.), Lime Series, and Moisture content tests;
- 4) review and evaluation of the field and laboratory test programs during their execution with modifications of these programs, when necessary, to adjust to subsurface conditions revealed by them;
- 5) compilation, generalization and analyses of the field and laboratory data in relation to the project requirements;
- 6) estimate of potential vertical movements;
- 7) preparation of pavement guidelines; and
- 8) preparation of a written geotechnical engineering report for use by the members of the design team in their preparation of construction, contract, and specifications documents.

The Scope of Services **did not include any environmental assessment** for the presence or absence of wetlands or hazardous or toxic materials in the soil, surface water, groundwater, or air, on or below or around this site. Any statements in this report or on the Test Pit Logs regarding odors, colors or unusual or suspicious items or conditions are strictly for the information of the client.

Project Description

The proposed project involves the new streets at the Blackwell Tract at F.M. 1044 in New Braunfels, Texas. The proposed pavement areas are anticipated to include Residential Local and Collector type streets. Street profiles showing cut and fill information are not available at the time of our investigation.

The project site is located south of Green Valley Road and west of F.M. 1044 in New Braunfels, Texas. A review of the aerial maps indicates that the site contains (a) existing structures towards the front (east) end of the property and (b) numerous trees and dense vegetation throughout. A review of the topographic map indicates that the site generally slopes from the north to the south.

Review of the geologic map indicates the site is located within Kpg, Pecan Gap Chalk formation. Karst features are formed in limestone, dolomite, or gypsum by dissolution. A geophysical study of the site may indicate the presence and potential impact of Karst features, caves, or significant cavities on the building performance and construction delays. The thickness of the clay strata are likely to vary across the site. Geophysical study is not within the scope of this investigation.

SUBSURFACE EXPLORATION

Scope

The field exploration to determine the engineering characteristics of the subsurface materials included a reconnaissance of the project site, excavating the test pits, and obtaining bulk samples.

Twelve test pits were excavated at the approximate locations shown on the Test Pit Location Plan, Plate 1, included in the Illustration section of this report. These test pits were **excavated to depths of 4 to 9 feet below the presently existing ground surface**. Test pit locations were selected by the project geotechnical engineer and established in the field by the drilling crew using normal taping procedures. Test pits were excavated to recover samples from different depths.

Excavating and Sampling

The test pits were performed with a mini-excavator. Test Pit samples of the subsurface materials were obtained and the samples were identified according to test pit number and depth, encased in polyethylene plastic wrapping to protect against moisture loss, and transported to our laboratory in special containers.

Water Level Measurements

Ground water was not encountered in the test pits at the time of excavation. In relatively pervious soils, such as sandy soils, the indicated elevations are considered reliable ground water levels. In relatively impervious soils, the accurate determination of the ground water elevation may not be possible even after several days of observation. Seasonal variations, temperature and recent rainfall conditions may influence the levels of the ground water table and volumes of water will depend on the permeability of the soils.

Field Logs

A field log was prepared for each test pit. Each log contained information concerning the sampling method, samples attempted and recovered, indications of the presence of various materials such as silt, clay, gravel or sand and observations of ground water. It also contained an interpretation of subsurface conditions between samples. **Therefore, these logs included both factual and interpretive information.**

Presentation of the Data

The final logs represent our interpretation of **the contents of the field logs for the purpose delineated by our client**. The final logs are included on **Plates 2 thru 13** included in the Illustration section. A key to classification terms and symbols used on the logs is presented on **Plate 14**.

LABORATORY TESTING PROGRAM

Purpose

In addition to the field exploration, a supplemental laboratory testing program was conducted to determine additional **pertinent engineering characteristics** of the subgrade materials necessary in evaluating the soil parameters.

Laboratory Tests

All phases of the laboratory testing program were performed in **general accordance with the indicated applicable** ASTM Specifications as indicated in Table No. 1.

Table No. 1 – Laboratory Testing Procedures

Laboratory Test	Applicable Test Standard
Liquid Limit, Plastic Limit and Plasticity Index of the Soils	ASTM D 4318
Moisture Content	ASTM D 2216
California Bearing Ratio	ASTM D 1883
pH	ASTM D 6276

In the laboratory, each sample **was observed and classified by a geotechnical engineer**. As a part of this classification procedure, the natural water contents of selected specimens were determined. Liquid and plastic limit tests were performed on representative specimens to determine the plasticity characteristics of the different soil strata encountered.

Presentation of the Data

In summary, the tests presented were conducted in the laboratory to evaluate the engineering characteristics of the subsurface materials. The results of all these tests are presented on appropriate Test Pit Logs. These laboratory test results were used to classify the soils encountered generally according to the Unified Soil Classification System (ASTM D 2487).

GENERAL SUBSURFACE CONDITIONS

Soil Stratigraphy

The soils underlying the site may be grouped into **one to two generalized strata** with similar physical and engineering properties. The lines designating the interface between soil strata on the logs represent approximate boundaries. Transition between materials may be gradual. The soil stratigraphy information at the test pit locations are presented in **Test Pit Logs, Plates 2 thru 13**.

The engineering characteristics of the underlying soils, based on selected samples that were tested, are summarized and presented in the following paragraph.

The site is underlain by brown clays, dark brown clays, dark brown clays to dark gray clays, dark brown sandy clays, tan and gray clays, tan clays to tan calcareous clays, and tan marl. The underlying clays are moderately plastic to highly plastic with tested liquid limit values varying from 44 to 71 and plasticity index values ranging from 25 to 51.

The above description presented is of a generalized nature to highlight the major soil stratification features and soil characteristics. Please refer to Test Pit Logs for soil stratigraphy information at a particular test pit location.

Soil stratigraphy may vary across the site. If deviations from the noted subsurface conditions are encountered during construction, they should be brought to the attention of InTEC. We may revise the recommendations after evaluating the significance of the changed conditions. If the construction crew encounters, at the time of grade beam excavations or during utility trench excavations, conditions such as abundant gravel, fill material, or sand seams, please contact InTEC.

Ground Water Observations

Ground water was not encountered in the test pits at the time of excavation. Short term field observations generally do not provide accurate ground water levels. The contractor should check the subsurface water conditions prior to any excavation activities. The low permeability of the soils would require several days or longer for ground water to enter and stabilize in the test pit holes. Ground water levels will fluctuate with seasonal climatic variations and changes in the land use.

It is not unusual to encounter shallow groundwater during or after periods of rainfall. The surface water tends to percolate down through the surface until it encounters a relatively impervious layer.

PAVEMENTS ON EXPANSIVE SOIL

General

There are many plastic clays that swell considerably when water is added to them and then shrink with the loss of water. Pavements constructed on these clays are subjected to large uplifting forces caused by the swelling.

In the characterization of a pavement site, two major factors that contribute to potential shrink-swell problems must be considered. Problems can arise if a) the soil has expansive and shrinkage properties and b) the environmental conditions that cause moisture changes to occur in the soil.

Evaluation of the Shrink-Swell Potential of the Soils

Subsurface sampling, laboratory testing and data analyses are used in the evaluation of the shrink-swell potential of the soils under the pavements.

The Mechanism of Swelling

The mechanism of swelling in expansive clays is complex and is influenced by a number of factors. Basically, expansion is a result of changes in the soil-water system that disturbs the internal stress equilibrium. Clay particles in general have negative electrical charges on their surfaces and positively charged ends. The negative charges are balanced by actions in the soil water and give rise to an electrical interparticle force field. In addition, adsorptive forces exist between the clay crystals and water molecules, and Van Der Waals surface forces exist between particles. Thus, there exists an internal electro-chemical force system that must be in equilibrium with the externally applied stresses and capillary tension in the soil water. If the soil water chemistry is changed either by changing the amount of water or the chemical composition, the interparticle force field will change. If the change in internal forces is not balanced by a corresponding change in the state of stress, the particle spacing will change so as to adjust the interparticle forces until equilibrium is reached. This change in particle spacing manifests itself as a shrinkage or swelling.

Initial Moisture Condition and Moisture Variation

Volume change in an expansive soil mass is the result of increases or decreases in water content. The initial moisture content influences the swell and shrink potential relative to possible limits, or ranges, in moisture content. Moisture content alone is useless as an indicator or predictor of shrink-swell potential. The

relationship of moisture content to limiting moisture contents such as the plastic limit and liquid limit must be known.

If the moisture content is below or near plastic limit, the soils have high potential to swell. It has been reported that expansive soils with liquidity index* in the range of 0.20 to 0.40 will tend to experience little additional swell.

The availability of water to an expansive soil profile is influenced by many environmental and manmade factors. Generally, the upper few feet of the profile are subjected to the widest ranges of moisture variation and are least restrained against movement by overburden. This upper stratum of the profile is referred to as the active zone. Moisture variation in the active zone of a natural soil profile is affected by climatic cycles at the surface, and fluctuating groundwater levels at the lower moisture boundary. The surficial boundary moisture conditions are changed significantly simply by placing a barrier such as a building floor slab or pavement between the soil and atmospheric environment. Other obvious and direct causes of moisture variation result from altered drainage conditions or man-made sources of water, such as irrigation or leaky plumbing. The latter factors are difficult to quantify and incorporate into the analysis, but should be controlled to the extent possible for each situation. For example, proper drainage and attention to landscaping are simple means of minimizing moisture fluctuations near structures, and should always be taken into consideration.

Man Made Conditions That Can Be Altered

There are a number of factors that can influence whether a soil might shrink or swell and the magnitude of this movement. For the most part, either the owner or the designer has some control over whether the factor will be avoided altogether or if not avoided, the degree to which the factor will be allowed to influence the shrink-swell process.

Antecedent Rainfall Ratio This is a measure of the local climate and is defined as the total monthly rainfall for the month of and the month prior to laying the pavement divided by twice the average monthly rate measured for the period. The intent of this ratio is to give a relative measure of ground moisture conditions at the time the pavement is placed. Thus, if a pavement is placed at the end of a wet period, the pavement should be expected to experience some loss of support around the perimeter as the wet soils begin to dry out and shrink. The opposite effect could be

* LIQUIDITY INDEX = {NATURAL WATER CONTENT - PLASTIC LIMIT} / {LIQUID LIMIT - PLASTIC LIMIT}

anticipated if the pavement is placed at the end of an extended dry period; as the wet season occurs, uplift around the perimeter may occur as the soil at the edge of the slab pavement in moisture content.

Age of Pavement The length of time since the pavement was cast provides an indication of the type of swelling of the soil profile that can be expected to be found beneath the pavement.

Drainage This provides a measure of the slope of the ground surface with respect to available free surface water that may accumulate around the pavement. Most builders are aware of the importance of sloping the final grade of the soil away from the pavement so that rain water is not allowed to collect and pond against or adjacent to the pavement. If water were allowed to accumulate next to the pavement, it would provide an available source of free water to the expansive soil underlying the pavement. Similarly, surface water drainage patterns or swales must not be altered so that runoff is allowed to collect next to the pavement.

Pre-Construction Vegetation Large amount of vegetation existing on a site before construction may have desiccated the site to some degree, especially where large trees grew before clearing. Constructing over a desiccated soil can produce some dramatic instances of heave and associated structural distress and damage as it wets up.

Post-Construction Vegetation The type, amount, and location of vegetation that has been allowed to grow since construction can cause localized desiccation. Planting trees or large shrubs near a pavement can result in loss of foundation support as the tree or shrub removes water from the soil and dries it out. Conversely, the opposite effect can occur if flowerbeds or shrubs are planted next to the pavement and these beds are kept well-watered or flooded. This practice can result in swelling of the soil around the perimeter where the soil is kept wet.

Utilities Underneath the Pavement The utilities such as sewer, water, electricity, gas, and communication lines are often installed underneath the streets. The sewer utility construction, for example, typically involves trenching to the desired depth, installing gravel a gravel bed underneath the sewer main, installing primary backfill (gravel), and placing back the secondary backfill (generally excavated soils). The secondary backfill material is compacted in lifts. In addition, sewer service lines run laterally from each house (for a typical subdivision, approximately every 50-ft). These trenches with gravel and onsite material backfill are conducive to carrying water. In addition,

the sewer service lines can carry water from behind the curb. Occasionally, the sewer line may be encased in concrete which will cause ponding of any travelling water within the sewer trenches. Any water travelling within these trenches can cause expansive clays to swell. If the backfill is not adequately compacted or if excessive water is flowing in these trenches, the trench backfill can potentially settle.

Summation

It is beyond the scope of this investigation to do more than point out that the above factors have a definite influence on the amount and type of swell to which a pavement is subjected during its useful life. The design engineer must be aware of these factors as he develops his design and make adjustments as necessary according to the results of special measurements or from his engineering experience and judgment.

DESIGN ENGINEERING ANALYSIS

Pavement Design Considerations

Review of the test pits and test data indicates that the following factors will affect the pavement design and construction at this site:

- 1) The site is underlain by moderately plastic to highly plastic clays. Structures supported on or within these clays will be subjected to potential vertical movements on the order of **3 to 5 inches**.
- 2) The strengths of the underlying soils are adequate to support the proposed new streets.
- 3) Based on the stratigraphy observed at this site, the final street subgrade is anticipated to be in the Clay subgrades. The cut and fill information is not available at this time. The final street subgrade should be verified by InTEC at the time of construction.
- 4) Ground water was not encountered in the test pits at the time of excavation.

Vertical Movements

The potential vertical rise (PVR) for slab-on grade construction at the location of the structures had been estimated using Texas Department of Transportation Procedure TXDOT-124-E. This method utilizes the liquid limits, plasticity indices, and in-situ moisture contents for soils in the seasonally active zone, estimated to be about ten to twelve feet at the project site.

The estimated PVR value provided is based on the proposed floor system applying a sustained surcharge load of approximately 1.0 lb. per square inch on the subgrade materials. **Potential vertical movement on the order of 3 to 5 inches was estimated at the existing grade elevation.**

The PVR values are based on the current site grades. If cut and fill operations in excess of 6 inches are performed, the PVR values could change significantly. Higher PVR values than the above mentioned values will occur in areas where water is allowed to pond for extended periods.

If proper drainage is not maintained (allowing subgrade moisture content to change significantly) and / or if the pavement is underlain by utility trenches, resulting (a) potential vertical movements will be much

greater than 2 to 3 times the anticipated vertical movements and (b) the subgrade strength may be lowered or significantly lowered.

If the finish grade elevation is higher than the existing grade, compacted select fill should be used to raise the grade level. Any select fill should be placed and compacted as recommended under *Select Fill* in the “Construction Guidelines” section of this report. Each lift should be compacted and tested by InTEC to verify Compaction Compliance.

Method to Lower Vertical Movements

The anticipated potential vertical movement at the subgrade elevation may be reduced to 3 inches or less if the subgrade soils (below the stabilized subgrade) are re-compacted to a depth of 24 inches, placed in 6-inch thick compacted lifts, and compacted to a minimum of 95 percent of maximum dry density at a moisture content between optimum plus 2 and optimum plus 5 percent of the optimum moisture content (Tex 114e).

It should be noted that expansive clay does not shrink/swell without changes in moisture content, and thus good site design is very important to minimize movements. Coping with problems of shrink/swell due to expansive clays is a “fact of life” in the Texas region of south western U.S.A.

PAVEMENT GUIDELINES

General

Pavement area at this unit is expected to include Residential Local and Collector type streets. The following recommendations are presented as a guideline for pavement design and construction. These recommendations are based on a) our previous experience with subgrade soils like those encountered at this site, b) pavement sections which have proved to be successful under similar design conditions, c) final pavement grades will provide adequate drainage for the pavement areas, (d) that water will not be allowed to enter the pavement system by either edge penetration adjacent to landscape areas or penetration from the surface due to surface ponding, or (e) inadequate maintenance of pavement joints, or surface cracks that may develop.

Pavement Design

Pavement designs provide an adequate thickness of structural sections over a particular subgrade (in order to reduce the wheel load to a distributed level so that the subgrade can support load). The support characteristics of the subgrade are based on strength characteristics of the subgrade soils and not on the shrinkage and swelling characteristics of the clays. Therefore, the pavement sections may be adequate from a structural stand point, may still experience cracking and deformation due to shrinkage and swelling characteristics of the soils. In addition, if the proposed new pavements are used to carry temporary construction traffic, then heavier sections may be needed. Please contact InTEC to discuss options.

It is very important to minimize moisture changes in the subgrade to lower the shrinkage and swell movements of the subgrade clays. The pavement and adjacent areas should be well drained. Proper maintenance should be performed by sealing the cracks as soon as they develop to prevent further water penetrations and damage. In our experience,

- (a) majority of the pavement distress observed over the years were caused by changes in moisture content of the underlying subgrade and / or excessive moisture in the base section,
- (b) pavements with a grade of one percent or more have performed better than the pavements with allowable minimum grade,

- (c) pavements with no underground utilities (under the pavement) have performed better than pavements with underground utilities and the associated laterals (underneath the pavement),
- (d) pavements that are at a higher-grade elevation than the surrounding lots have performed better, and
- (e) any design effort that minimizes moisture penetration into the pavement layers have performed better.

“Alligator” Type Cracks

A layer of aggregate base is typically used underneath the concrete curbs around the pavement areas. This layer of aggregate base underneath the concrete curb is conducive to the infiltration of surface water into the pavement areas. Water infiltration into the base layer can result in “alligator type” cracks especially when accompanied by construction traffic. Increasing the moisture content of the pavement sections will significantly impact the support characteristics. Penetrating the concrete curbs at least six inches into the native clays soils will act as a barrier to this type of water infiltration. In addition, French Drains installed on the outside of the curbs will reduce this type of water infiltration. Alligator type cracks are also caused by weak / soft pockets within the pavement layers.

Longitudinal Cracks

Asphalt pavements in highly expansive soil conditions, such as the soils encountered at this site, will likely develop longitudinal cracks along the pavement edges. The longitudinal cracking typically occurs about 1 to 4 feet inside of the pavement edges and they run parallel to the pavement edge. The longitudinal cracks are generally caused by differential drying and shrinkage of the underlying expansive clays. The moisture content change of the underlying subgrade clays can be reduced by installing moisture barriers. Vertical moisture barriers along the edge of the pavement or horizontal moisture barriers such as paved sidewalks or geogrid will help reduce the development of the longitudinal or reflective cracks.

Periodic Maintenance

The pavements constructed on clay subgrades such as the one encountered at this site will be subjected to swell related movements. Hence, proper maintenance should be performed by sealing the cracks as soon as they develop to prevent further water penetrations and damage.

Pavement Sections

Local and Collector type residential streets may be designed with flexible pavements. Cut and fill information is not available at the time of our investigation. The final finish street subgrade is expected to be in Clay subgrades. Minimum flexible pavement sections for the anticipated Clay subgrades are presented in Table No. 2 in the following page. Input parameters used in the pavement section calculations are presented in Table No. 3.

- If pavement design for parameters other than those shown in Table No. 3 is needed or if repetitive / heavy truck traffic is anticipated, please contact us for additional pavement section recommendations.
- The pavement sections are not based on shrink / swell characteristics of the subgrade soils.
- The recommended pavement sections are based on the subgrade soil support characteristics.
- The subgrade soil support characteristics will be significantly affected by changes in moisture content.

The cut and fill information is not available at this time. The final street subgrade should be verified by InTEC at the time of construction.

Table No. 2 – Minimum Flexible Pavement Recommendations – CBR = 1.9 **

Classification	Hot Mix Asphaltic Concrete Thickness, Inches	Hot Mix Asphaltic Concrete Thickness, Inches	Aggregate Base Thickness, Inches	Geogrid	Subgrade Thickness, Inches	Structural Number
Residential Local	3.00 Type D	-	12.00	No	6" LS	3.48
	3.00 Type D	5.00 Type B	-	No	6" LS	3.50
Residential Collector	2.00 Type D	2.00 Type C	16.00	No	8" LS	4.64
	3.00 Type D	-	15.50	Yes	8" LS	4.59
	3.00 Type D	8.00 Type B	-	No	8" LS	4.68

Subgrade Notes (*):

- Cut and fill information is not available at this time.
- If fill is used to raise the grade, the approved fill material should have a minimum CBR value of 2.0. The lime application rate should be re-evaluated for the fill material and the soil sulfate content should be tested. The material should be placed as per applicable city guidelines.
- The subgrade, prior to placement of fill, should be proof rolled to identify weak areas. Any identified weak areas should be recompacted prior to subgrade stabilization.
- **6" LS / 8" LS:** Subgrade soils lime stabilized to a depth of 6 or 8 inches as noted above. An application rate of 8 percent by weight is recommended:
 - **6" LS:** 35 lbs per sq yard for 6 inch depth of stabilization
 - **8" LS:** 46 lbs per sq yard for 8 inch depth of stabilization
- **Subgrade soils should be tested for soil sulfate content prior to lime application. If elevated levels of sulfate are encountered, then other options should be considered.**

General Notes (**):

- Input parameters are shown in Table No. 3 (Summary Table B). Please call us to provide pavement recommendations, if needed, for different input values.
- If repetitive truck or heavy truck traffic is anticipated, please contact us for revised pavement recommendations.
- Pavement section recommendations are based on the CBR value and the input parameters. The recommendations are not based on the shrink / swell characteristics of the underlying soils. The pavement can experience cracking and deformation due to shrinkage and swelling characteristics of the soils as described in the Vertical Movements section of this report.
- If water is allowed to get underneath the asphalt or if moisture content of the base or subgrade soil changes significantly, then pavement distress will occur.
 - Minimizing moisture penetration underneath the asphalt will lower the chances of pavement distress.
 - Significant pavement distress, more often caused by water getting underneath the asphalt, is noted during home construction.

- Aggregate base extending beyond the back of the curb increases the likelihood of water getting underneath the asphalt. Moisture penetration may be reduced by using a vertical moisture barrier such as curb extending a minimum of 6 inches into subgrade, compacted clays backfilled against the curbs, or plastic sheet extending past base.
- In addition, water should not be allowed to get underneath the pavement section at the time of home construction.

Geogrid:

- Geogrid, Tensor Triax TX5 or better, should be installed as per manufacturer’s guidelines on top of moisture conditioned subgrade or stabilized subgrade.

Subgrade Verification:

- At the time of construction, the final pavement subgrade should be observed / verified by a representative of InTEC.

Table No. 3 – Input Parameters used in Asphalt Pavement Section Calculation

	Residential Local	Residential Collector
ESAL	ESAL= 100,000	ESAL= 1,000,000
Reliability Level	R-70	R-90
Initial and Terminal Serviceability	4.2 and 2.0	4.2 and 2.0
Standard Deviation	0.45	0.45
Service Life	20 years	20 years
If heavy truck traffic is anticipated, please contact InTEC with anticipated traffic data for revised recommendations.		

Subgrade Preparation

It is important that any existing pavement and organic and compressible soils are removed and the exposed subgrade is properly prepared prior to pavement installation. The subgrade should be stabilized as described in the applicable city or TxDOT Guidelines. Base course material should be placed immediately upon completion of the subgrade compaction operation to prevent drying of the soils due to exposure.

The finish grade elevation of the subgrade should be such that water drains downward freely towards a drainage area. At the drainage area, 3x5 rock may be provided at the subgrade level and the collected

water at the drainage area should be taken out (such as into the existing concrete drainage channel). If any voids in the subgrade should be filled in with the same subgrade material and compacted in lifts.

The approved fill material should be placed in 8-inch loose lifts (6 inches compacted) and compacted as recommended in the Site Preparation section of the Construction Guidelines presented in this report. If the fill depth exceeds 4 feet, the potential subgrade settlement should be considered. Please contact InTEC with the cut and fill information to evaluate the effect of proposed cut and fill on the recommendations and to provide fill material and compaction recommendations.

Base Course

Based on the survey of available materials in the area, a base course of crushed limestone aggregate or gravel appears to be the most practical material for asphalt pavement project. The base course should conform to Texas State Department of Highways and Public Transportation Standard Specification, Item 247, Type A, Grade 1 or 2. The aggregate base course should be installed as per applicable city or TxDOT Guidelines. At a minimum the base course should be brought to near optimum moisture conditions and compacted in lifts to at least 95 percent of maximum dry density as determined by test method TxDOT 113E.

Asphaltic Concrete

The asphaltic concrete material and installation should follow applicable city or TxDOT Guidelines.

Perimeter Drainage

It is important that proper perimeter drainage be provided so that infiltration of surface water from compacted areas surrounding the pavement is minimized, or if this is not possible, curbs should extend through the base and into the subgrade. A crack sealant compatible to both asphalt and concrete should be installed at the concrete-asphalt interfaces.

Wherever there are drastic grade changes in the pavement area (such as from 3 to 4 percent grade to 1 to 2 percent grade) 3 x 5 inch gravel subgrade with a subsurface drain system (such as Akwadrain® on the sides of the pavement) and outlet should be considered. This aspect will provide for a better drainage system in this area. Please contact InTEC for drainage recommendations.

CONSTRUCTION GUIDELINES

Construction Monitoring

As Geotechnical Engineer of Record for this project, InTEC should be involved in monitoring the pavement construction and earth work activities. Performance of any pavement system is not only dependent on the pavement design, but is strongly influenced by the quality of construction. Please contact our office prior of construction so that a plan for pavement construction and earthwork monitoring can be incorporated in the overall project quality control program. The testing requirements shall comply with the minimum testing requirements as per applicable city and county guidelines.

Site Preparation

Site preparation will consist of **preparation of the subgrade, and placement of select structural fill**. The project geotechnical **engineer InTEC should approve the subgrade preparation, the fill materials, and the method of fill placement and compaction**.

In any areas where soil-supported concrete structure or pavement is to be used, vegetation and all loose or excessively organic material should be stripped to a minimum depth of six inches and removed from the site. Subsequent to stripping operations, the subgrade should be proof rolled prior to fill placement and recompacted to a minimum of **95 percent of the maximum dry density as determined by ASTM D 698 test method within optimum moisture content and three percent above optimum moisture content**. The exposed subgrade should not be allowed to dry out prior to placing structural fill. Each lift should be tested by InTEC geotechnical engineer or his representative prior to placement of the subsequent lift.

Compaction

Any loose or wet materials should be removed and wasted. The fill placement in the low areas should not be in a "bowl shape". The sides of the fill area should be "squared up" and the excavated bottom should be proof rolled as described in *Proof Rolling* section of this report. On site material, with no deleterious material, may be used to raise the grade. After proof rolling operation, the fill should be placed in 6-inch lifts and compacted to a minimum of **95 percent of the maximum dry density as determined by ASTM D 698 test method within optimum and three percent above optimum moisture content**. Each lift should be tested by InTEC for compaction compliance and approved before placement of the subsequent lifts. The exposed subgrade should not be allowed to dry out prior to placing structural fill.

It is recommended that any given lot does not straddle filled areas and natural areas to help reduce differential movement of the structures.

The excavation boundaries should be set such that building or pavement areas do not straddle fill and natural areas. The anticipated potential vertical movement may be significantly affected after the cut and fill operations are performed in this area.

Proof Rolling

Proof rolling should be accomplished in order to locate and densify any weak compressible zones under the structure and pavement areas and prior to placement of the select fill or base.

A minimum of 10 passes of a 25-ton pneumatic roller should be used for planning purposes. The operating load and tire pressure should conform to the manufactures specification to produce a minimum ground contact pressure of 90 pound per square inch. Proof rolling should be performed under the observation of the InTEC Geotechnical Engineer or his representative. The soils that yield or settle under proof rolling operations should be removed, dried and compacted or replaced with compacted select fill to grade. Density tests should be conducted as specified under *Control Testing and Filed Observation* after satisfactory proof rolling operation.

Proper site drainage should be maintained during construction so that ponding of surface run-off does not occur and cause construction delays and/or inhibit site access.

Select Fill

Any select structural fill used under the building should have a liquid limit less than 40 and a plasticity index in between 5 and 20 and be crushed limestone. The fill should contain no particles greater than 3 inches in diameter. **The percent passing U.S. Standard Sieve No. 4 should be in between 40 and 80 percent and Sieve No. 40 passing should be in between 10 and 50 percent. The percent passing Sieve No. 200 should be less than 20 percent.**

Crushed limestone with sufficient fines to bind the aggregate together is a suitable select structural fill material. The fill materials should be placed in loose lifts not to exceed 8 inches thick (6-inches compacted) and compacted to 95 percent of the maximum dry density as determined by ASTM D 1557 procedure at a moisture content within 2 percent of the optimum water content.

Ground Water

In any areas where significant cuts (2-ft or more) are made to establish final grades for pavement, attention should be given to possible seasonal water seepage that could occur through natural cracks and fissures in the newly exposed stratigraphy. Subsurface drains may be required to intercept seasonal groundwater seepage. The need for these or other dewatering devices on should be carefully addressed during construction. Our office could be contacted to visually inspect final pads to evaluate the need for such drains.

The ground water seepage may happen several years after construction if the rainfall rate or drainage changes within the project site or outside the project site. If seepage run off occurs towards the pavement areas an engineer should be called on to evaluate its effect and provision of French Drains at this location.

Drainage

Ground water seepage was not encountered in the test pits at the time of excavation. However, minor ground water seepage may be encountered within the pavement areas and grading excavations at the time of construction, especially after periods of heavy precipitation. **Small quantities of seepage may be handled by conventional sump and pump methods of dewatering.**

Temporary Drainage Measures

Temporary drainage provisions should be established, as necessary, to minimize water runoff into the construction areas. If standing water does accumulate, it should be removed by pumping as soon as possible.

Adequate protection against sloughing of soils should be provided for workers and inspectors entering the excavations. This protection should meet O.S.H.A. and other applicable building codes.

Temporary Construction Slopes

Temporary slopes on the order of 1H to 1V may be provided for excavations through Strata I clays.

Fill slopes on the order of 1H to 1V may be used provided a) the fill materials are compacted as recommended and b) the slopes are temporary.

Fill slopes should be compacted. Compacting operations shall be continued until the slopes are stable but not too dense for planting on the slopes. Compaction of the slopes may be done in increments of 3 to 5-ft in fill height or the fill is brought to its total height for shallow fills.

Permanent Slopes

Maximum permanent slope of 1V to 3H is recommended in Stratum I clays. In areas where people walk on sloped areas, a slope of 1V to 5H is recommended.

Time of Construction

If the pavement is installed during or after an extended dry period, the subgrade may experience greater movement around the edges when the soil moisture content increases, such as due to rain or irrigation. Similarly, a pavement installed during or after a wet period may experience greater movement around the edges during the subsequent drying of the soils.

Control Testing and Field Observation

Subgrade preparation and base and asphalt placement should be monitored by the project geotechnical engineer or his representative of InTEC. As a guideline, at least one in-place density test should be **performed for every 100 lineal feet (or as per respective city and county requirements, whichever requires more frequent testing) of street of compacted surface lift.** However, a minimum of three density tests should be performed by InTEC on the subgrade or subsequent lifts of compaction. Any areas not meeting the required compaction should be re-compacted and retested until compliance is met.

DRAINAGE AND MAINTENANCE

Final drainage is very important for the performance of the proposed pavement. Landscaping, plumbing, and downspout drainage is also very important. It is vital that drainage be transported away from the pavement so that no water ponds around the pavement (such as behind the curbs) which can result in soil volume change under the pavement. Any leaks or drainage issues should be repaired as soon as possible in order to minimize the magnitude of moisture change under the pavement. Large trees and shrubs should not be planted in the immediate vicinity of the pavement, since root systems can cause a substantial reduction in soil volume in the vicinity of the trees during dry periods. Silt fences placed adjacent to the curb can potentially allow water to get into the pavement area.

Trench backfill for utilities should be properly placed and compacted as outlined in this report and in accordance with all applicable requirements such local City / County / SAWS Standards. Since granular bedding backfill is used for most utility lines, the backfilled trench should be prevented from becoming a conduit and allowing an access for surface or subsurface water to travel toward the new pavement. Concrete cut-off collars or clay plugs should be provided where utility lines cross curbs to prevent water traveling in the trench backfill and entering beneath the pavement. If concrete encasing is used around the sewer pipes, an alternate path for water to continue to drain should be installed.

In areas with sidewalks or other structures adjacent to the new pavement, a positive seal must be provided and maintained between the structures and the pavement or sidewalk to minimize seepage of water into the underlying supporting soils. **Post-construction movement of pavement and flat-work is not uncommon.** Maximum grades practical should be used for paving and flatwork to prevent areas where water can pond. In addition, allowances in final grades should take into consideration post construction movement of flatwork particularly if such movement would be critical. **Normal maintenance should include inspection of all joints in paving and sidewalks, etc. as well as re-sealing where necessary.**

Several factors relate to civil and architectural design and/or maintenance which can significantly affect future movements of the pavement systems:

1. Where positive surface drainage cannot be achieved by sloping away of the ground surface adjacent to the pavement, a drainage system should carry runoff water away from the completed pavement.
2. Planters located adjacent to the pavement should preferably be **self-contained**. Sprinkler mains should be located a minimum of five feet from the pavement.

3. Planter box structures placed adjacent to pavement should be provided with a means to assure concentrations of water are not available to the subsoils stratigraphy.
4. Large trees and shrubs should not be allowed closer to the pavement than a horizontal distance equal to roughly their mature height due to their significant moisture demand upon maturing.
5. Moisture conditions should be maintained “**constant**” around the edge of the pavements. Ponding of water in planters, in unpaved areas, and around joints in paving and sidewalks can cause movements beyond those predicted in this report and significantly reduce the subgrade support.

Adequate drainage should be provided to reduce seasonal variations in moisture content of soils around the pavement. The PVR values estimated and stated under Vertical Movements are based on provision and maintenance of positive drainage to divert water away from the pavement areas. If the drainage is not maintained, the wetted front may move below the assumed twelve feet depth, and resulting **PVR will be much greater than 2 or 3 times the stated values under *Vertical Movements*.** Utility line leaks may contribute water and cause similar movements to occur. In addition, if the soil is allowed to dry, the associated shrinkage can cause pavement cracks. Similarly, significant changes in moisture content of the underlying pavement layers, will impact the support characteristics of the subgrade.

Dry Periods

Close observations should be made around pavements during extreme dry periods to ensure that adequate watering is being provided to keep soil from separating or pulling back from the curb and to minimize the shrinkage related cracks.

LIMITATIONS

The analyses and recommendations submitted in this report are based upon the data obtained from **12 test pits** excavated at the site. This report may not reflect the exact variations of the soil conditions across the site.

If deviations from the noted subsurface conditions are encountered during construction, they should be brought to the attention of the geotechnical engineer.

The information contained in this report and on the Test Pit Logs is not intended to provide the contractor with all the information needed for proper selection of equipment, means and methods, or for cost and schedule estimation purposes. The use of information contained in the report for bidding purposes should be done at the contractor's option and risk.

Final plans for the proposed streets should be reviewed by the project geotechnical engineer so that he may determine if changes in the recommendations are required. The soil conditions may need to be verified if the proposed street profiles show deeper cuts from the existing grade elevation.

The project geotechnical engineer declares that the findings, recommendations, or professional advice contained herein have been made and this report prepared in accordance with generally accepted professional engineering practice in the fields of geotechnical engineering and engineering geology. The recommendations presented in this report should be reevaluated by InTEC if cut and fill operations are performed, any changes are made to drainage conditions. No other warranties are implied or expressed.

This report has been prepared for the exclusive use of **Beazer Homes** for pavement thickness evaluation for the **proposed new streets at the Blackwell Tract at F.M. 1044 in New Braunfels, Texas.**

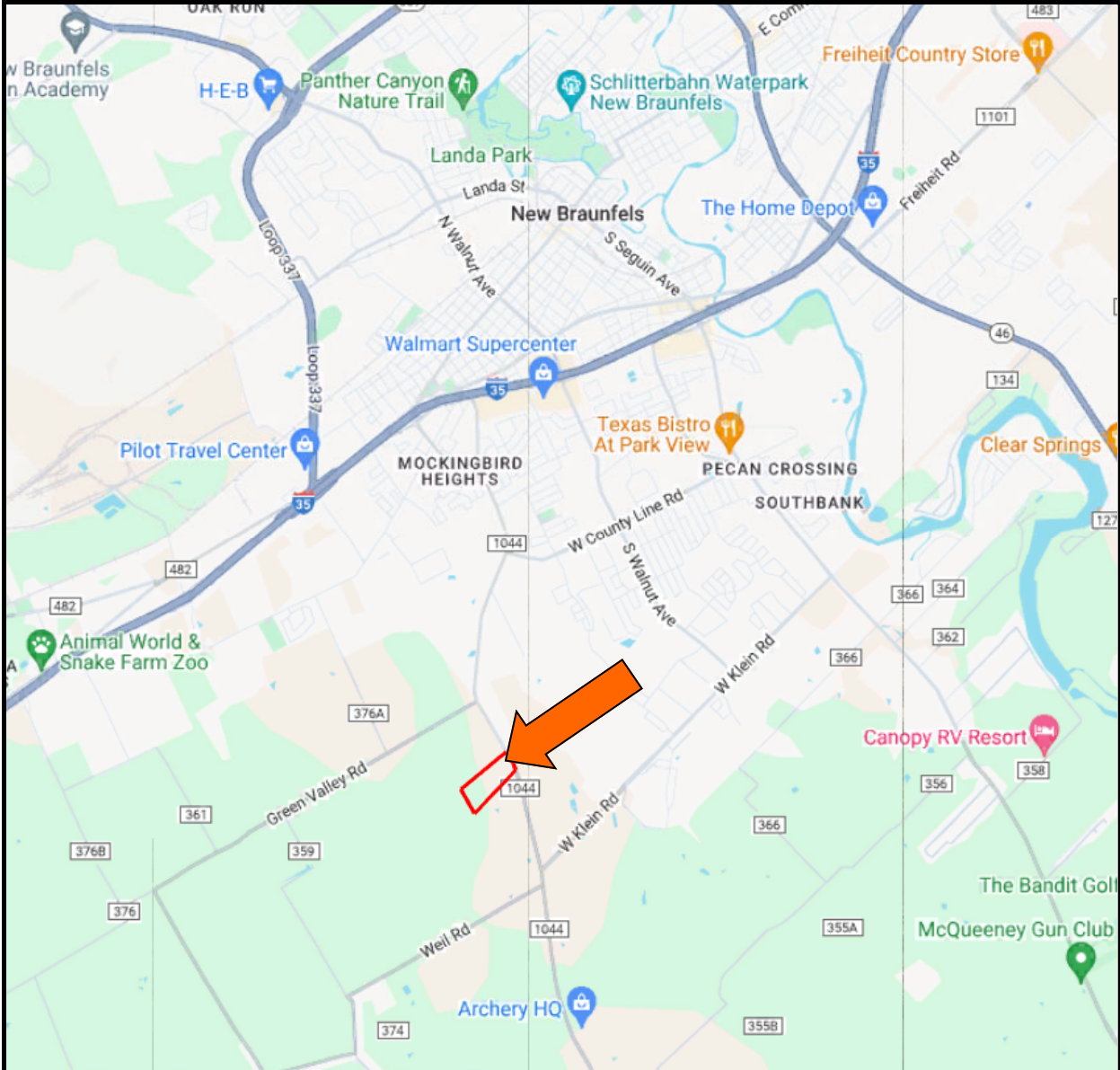
Illustration Section

Description	Plate No.
Vicinity Map	Plate 1A
Aerial Map	Plate 1B
Topographic Map	Plate 1C
Geologic Map	Plate 1D
Soil Map	Plate 1E
Approximate Test Pit Locations	Plate 1F
Test Pit Photos	Plates 1G1—1G3
Test Pit Logs	Plates 2—13
Keys to Classifications and Symbols	Plate 14
Calculations	Plates 15 - 22
Information on Geotechnical Report	Appendix

Subsurface Exploration and Pavement Analysis
 Proposed New Streets
 Blackwell Tract
 FM 1044
 New Braunfels, Texas

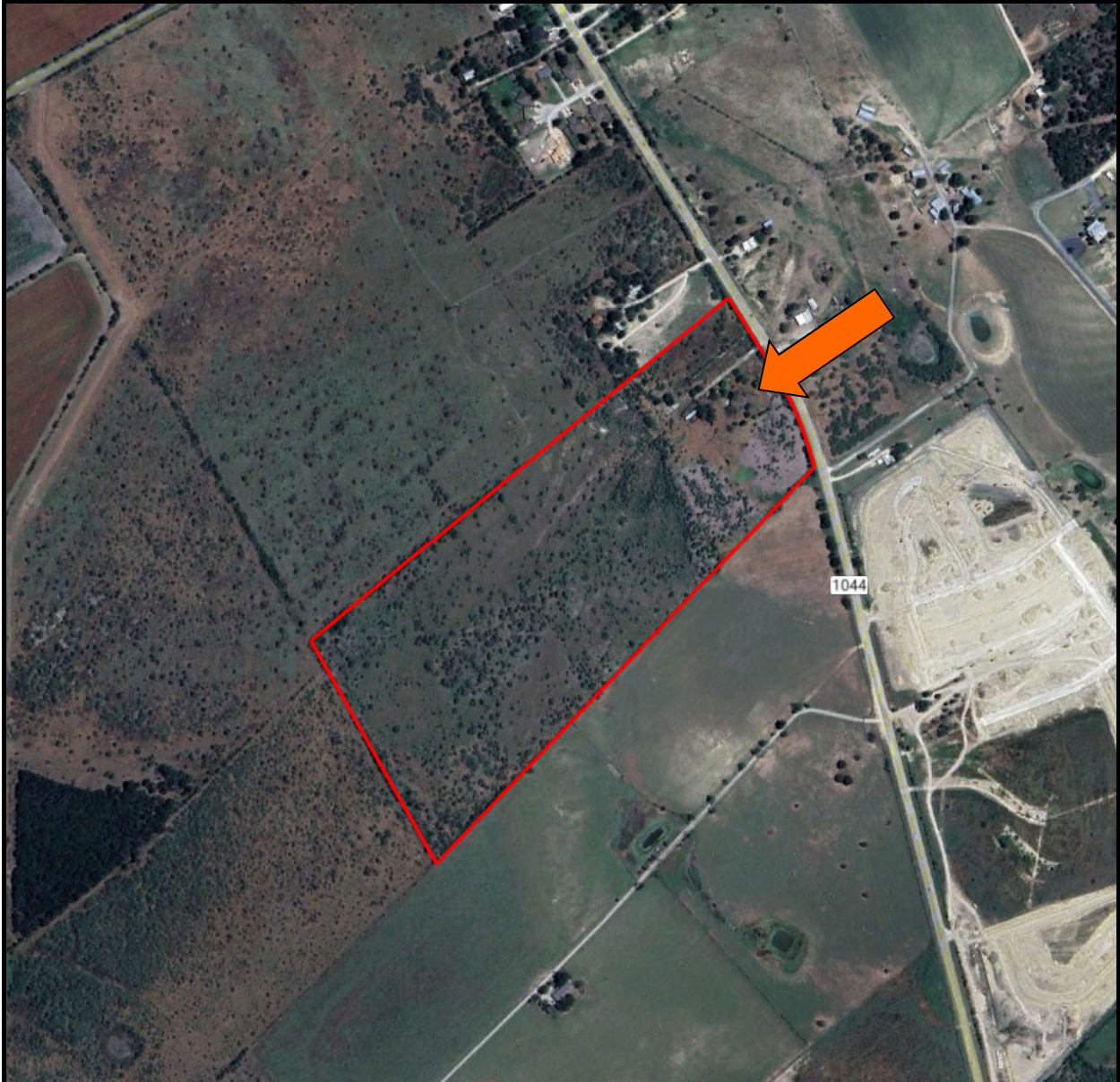
InTEC Project Number:
S241199-P

Date:
 07/12/2024



Subsurface Exploration and Pavement Analysis
 Proposed New Streets
 Blackwell Tract
 FM 1044
 New Braunfels, Texas

Vicinity Map	
InTEC Project Number: S241199-P	Date: 07/12/2024

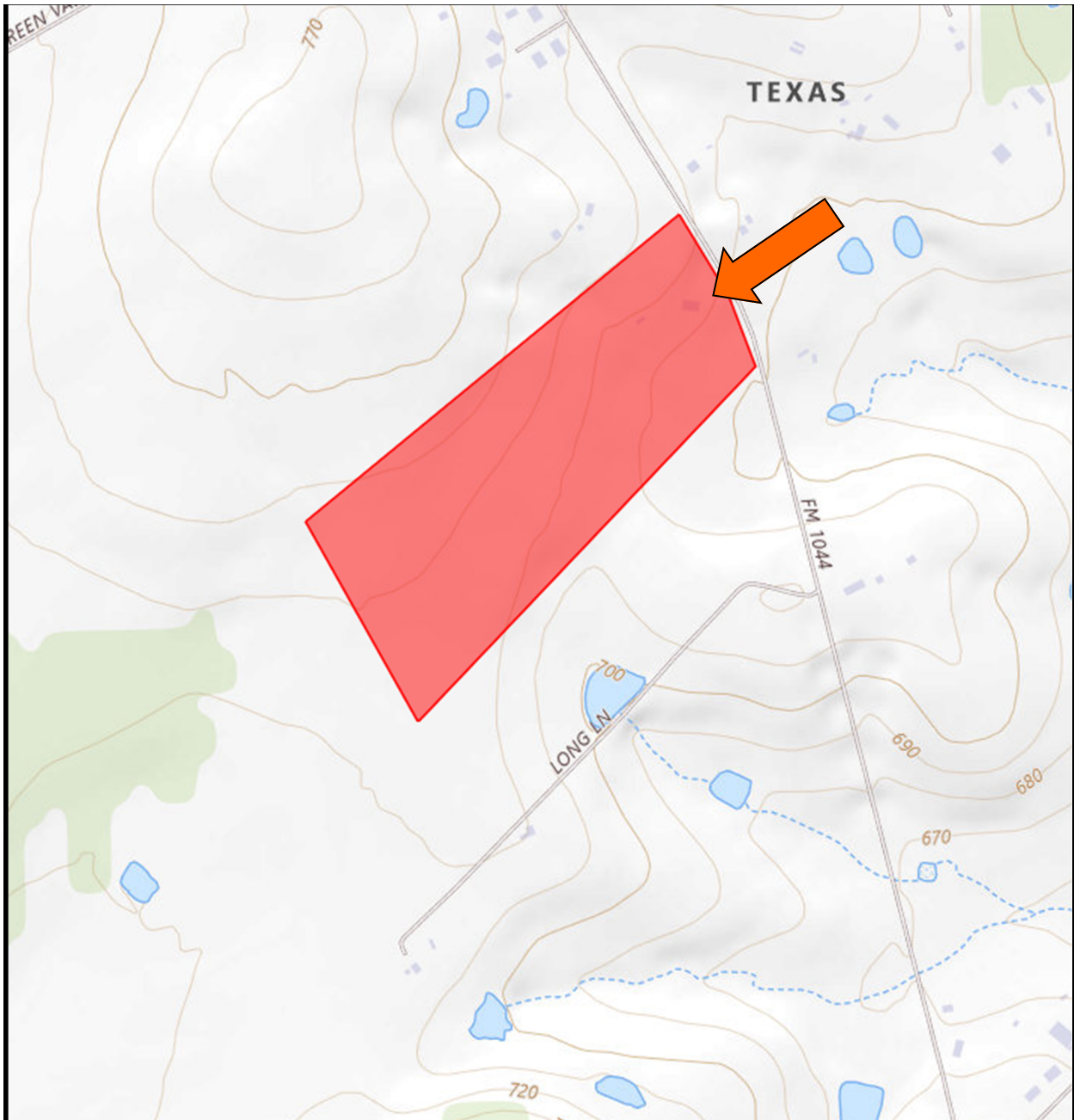


Subsurface Exploration and Pavement Analysis
Proposed New Streets
Blackwell Tract
FM 1044
New Braunfels, Texas

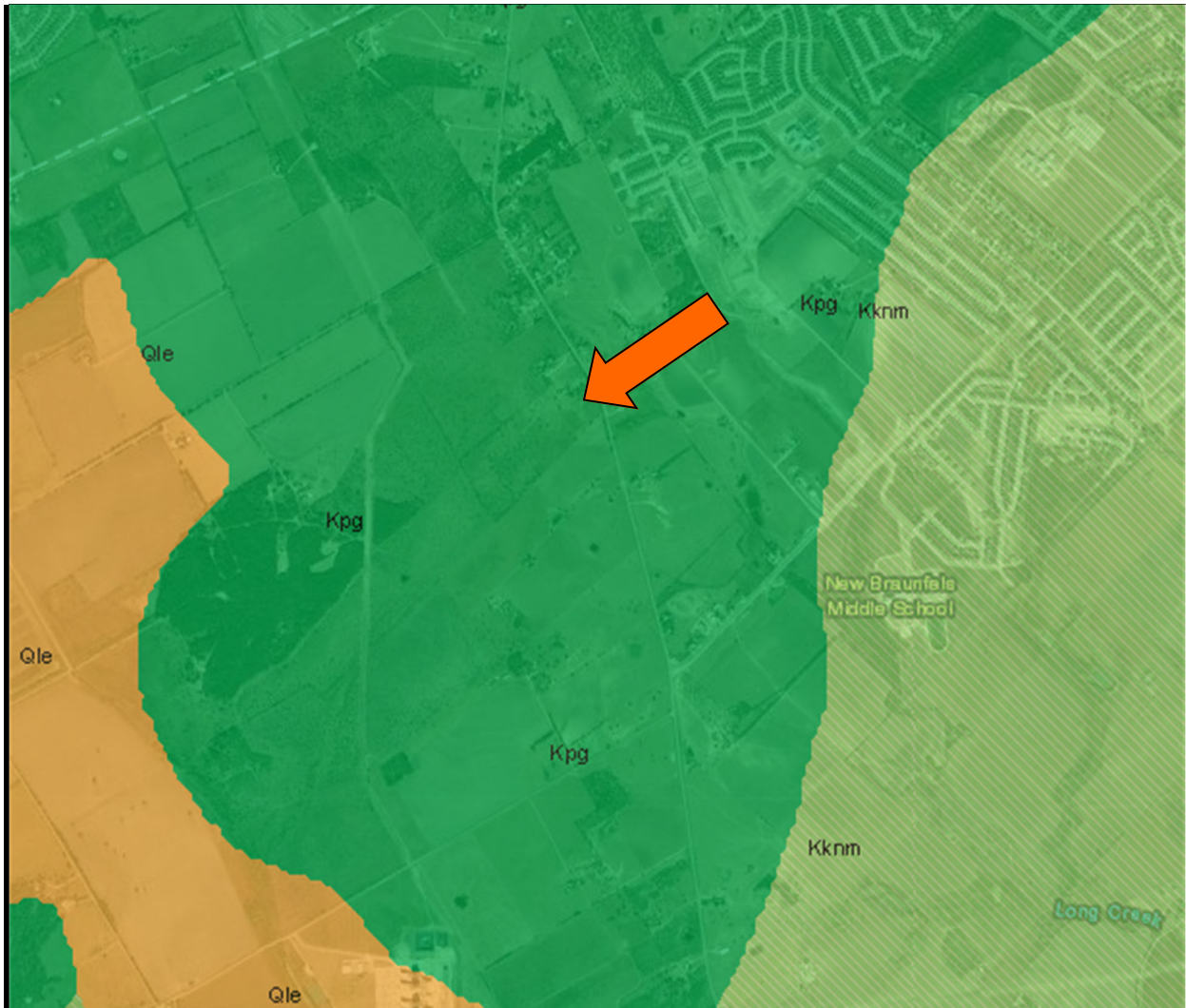
Aerial Map—Approximate Location

InTEC Project Number:
S241199-P

Date:
07/12/2024



Subsurface Exploration and Pavement Analysis Proposed New Streets Blackwell Tract FM 1044 New Braunfels, Texas	Topographic Map—Approximate Location	
	InTEC Project Number: S241199-P	Date: 07/12/2024



Kpg—Pecan Gap Chalk

chalk and chalky marl, more calcareous westward, very light yellow to yellowish brown, weathers to form moderately deep soil, seldom exposed; *Exogyra ponderosa* common; thickness 100-400 feet, thins westward to eastern Medina County where it is overlain by Anacacho Limestone, beyond this point included with Austin Chalk

Subsurface Exploration and Pavement Analysis
 Proposed New Streets
 Blackwell Tract
 FM 1044
 New Braunfels, Texas

Geologic Map—Approximate Location

InTEC Project Number:
S241199-P

Date:
 07/12/2024



Guadalupe County, Texas

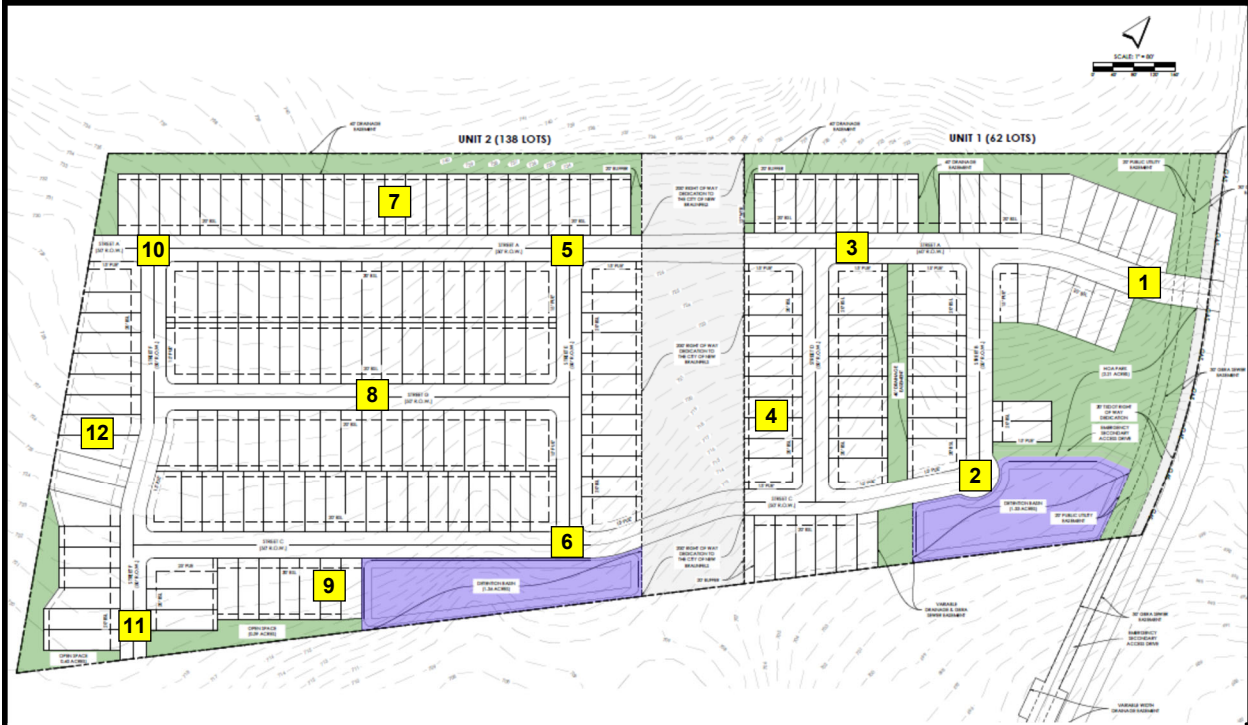
Map unit symbol and soil name	Pct. of map unit	Hydrologic group	Depth	USDA texture	Classification		Pct Fragments		Percentage passing sieve number—				Liquid limit	Plasticity index
					Unified	AASHTO	>10 inches	3-10 inches	4	10	40	200		
			<i>In</i>				<i>L-R-H</i>	<i>L-R-H</i>	<i>L-R-H</i>	<i>L-R-H</i>	<i>L-R-H</i>	<i>L-R-H</i>	<i>L-R-H</i>	<i>L-R-H</i>
AIC3—Altoga silty clay, 3 to 5 percent slopes, eroded														
Altoga, eroded	100	B	0-7	Silty clay	CL, CH	A-7-6	0-0-0	0-0-0	95-98-100	95-98-100	90-95-100	70-85-99	45-53-60	22-29-36
			7-20	Silty clay, silty clay loam	CL, CH	A-6, A-7-6	0-0-0	0-0-0	95-98-100	95-98-100	90-95-100	70-85-99	36-46-55	18-26-33
			20-72	Silty clay, silty clay loam, loam	CL, CH	A-6, A-7-6	0-0-0	0-0-0	95-98-100	95-98-100	90-95-100	58-79-99	32-44-55	15-24-33
AuB—Austin silty clay, 1 to 3 percent slopes														
Austin	90	D	0-16	Silty clay	CL, CH	A-7-6	0-0-0	0-0-3	92-99-100	91-99-100	85-98-100	82-94-100	56-61-71	33-37-45
			16-22	Silty clay, clay, silty clay loam	CL, CH	A-6, A-7-6	0-0-0	0-1-2	94-96-100	94-96-100	83-95-100	79-91-100	51-61-71	29-37-45
			22-29	Silty clay, clay, silty clay loam	CL, CH	A-7-6	0-0-0	0-0-0	100-100-100	100-100-100	82-99-100	78-95-100	44-61-71	23-37-45
			29-57	Bedrock	—	—	—	—	—	—	—	—	—	—
HeC3—Heiden clay, 3 to 5 percent slopes, eroded														
Heiden, moderately eroded	85	D	0-13	Clay	CH	A-7-6	0-0-0	0-0-0	96-98-100	90-96-100	80-94-100	65-81-94	50-60-80	30-40-55
			13-22	Clay, silty clay	CH	A-7-6	0-0-0	0-0-0	96-98-100	90-96-100	80-94-100	65-81-98	50-60-80	30-40-55
			22-58	Clay, silty clay	CH	A-7-6	0-0-0	0-0-0	96-98-100	90-96-100	80-94-100	65-81-98	50-60-80	30-40-55
			58-80	Clay	CH	A-7-6	0-0-0	0-0-0	98-100-100	97-100-100	86-98-100	71-86-95	50-70-80	30-45-55
HoB—Houston Black clay, 1 to 3 percent slopes														
Houston black	80	D	0-6	Clay	CH	A-7-6	0-0-0	0-0-0	96-98-100	92-96-100	81-92-100	71-81-90	63-70-76	34-44-49
			6-70	Clay, silty clay	CH	A-7-6	0-0-0	0-0-0	98-98-100	96-96-100	85-92-100	74-81-90	58-70-76	38-44-49
			70-80	Clay, silty clay	CH	A-7-6	0-0-0	0-0-0	94-96-100	86-92-100	74-88-100	65-78-95	61-71-75	37-45-50

Subsurface Exploration and Pavement Analysis
 Proposed New Streets
 Blackwell Tract
 FM 1044
 New Braunfels, Texas

Soil Map—Approximate Location

InTEC Project Number:
S241199-P

Date:
 07/12/2024



Subsurface Exploration and Pavement Analysis
 Proposed New Streets
 Blackwell Tract
 FM 1044
 New Braunfels, Texas

Approximate Test Pit Locations

InTEC Project Number:
S241199-P

Date:
 07/12/2024



Subsurface Exploration and Pavement Analysis
Proposed New Streets
Blackwell Tract
FM 1044
New Braunfels, Texas

Test Pit Photos

InTEC Project Number:
S241199-P

Date:
07/12/2024



Subsurface Exploration and Pavement Analysis
Proposed New Streets
Blackwell Tract
FM 1044
New Braunfels, Texas

Test Pit Photos

InTEC Project Number:
S241199-P

Date:
07/12/2024



Subsurface Exploration and Pavement Analysis
Proposed New Streets
Blackwell Tract
FM 1044
New Braunfels, Texas

Test Pit Photos

InTEC Project Number:
S241199-P

Date:
07/12/2024

PROJECT: Blackwell Tract - FM 1044

PROJECT NO: S241199

LOCATION: New Braunfels, Texas

DATE: 07/18/2024

CLIENT: Beazer Homes



TEST PIT NO. TP-1

DEPTH (feet)	SYMBOL	SAMPLES	SOIL DESCRIPTION	% MINUS 200 SIEVE	UNIT DRY WT IN PCF	S.S. BY P.P.	BLOWS PER FOOT	SHEAR STRENGTH TSF	LIQUID LIMIT	PLASTICITY INDEX	
0											
		TP	Dark Brown Sandy Clay						50	29	<p>Plastic Limit Liquid Limit Moisture Content % - •</p>
		TP	Tan and Gray Clay -with Caliche								
5		TP							51	34	
			Mini-Excavator Refusal TP = Test Pit Sample								
10											
15											
20											
25											
30											
35											

Notes:

Ground Water Observed: No

Completion Depth (ft): 6

**S.S by P.P - Shear Strength in TSF
by Hand Penetrometer**

**S.S. - Split Spoon Sample
S.T. - Shelby Tube Sample**

**HA - Hand Auger
AU - Auger Sample**

Plate: 2

PROJECT: Blackwell Tract - FM 1044

PROJECT NO: S241199

LOCATION: New Braunfels, Texas

DATE: 07/18/2024

CLIENT: Beazer Homes



TEST PIT NO. TP-2

DEPTH (feet)	SYMBOL	SAMPLES	SOIL DESCRIPTION	% MINUS 200 SIEVE	UNIT DRY WT IN PCF	S.S. BY P.P.	BLOWS PER FOOT	SHEAR STRENGTH TSF	LIQUID LIMIT	PLASTICITY INDEX		
0												
	[Hatched Pattern]	TP	Dark Brown Clay to Dark Gray Clay								<p>Plastic Limit Liquid Limit Moisture Content % - •</p>	
		TP							70	49		
5		TP										
		TP										
10			Mini-Excavator Refusal TP = Test Pit Sample									
15												
20												
25												
30												
35												

Notes:

Ground Water Observed: No

Completion Depth (ft): 8

S.S by P.P - Shear Strength in TSF by Hand Penetrometer

S.S. - Split Spoon Sample
S.T. - Shelby Tube Sample

HA - Hand Auger
AU - Auger Sample

Plate: 3

PROJECT: Blackwell Tract - FM 1044

PROJECT NO: S241199

LOCATION: New Braunfels, Texas

DATE: 07/18/2024

CLIENT: Beazer Homes



TEST PIT NO. TP-3

DEPTH (feet)	SYMBOL	SAMPLES	SOIL DESCRIPTION	% MINUS 200 SIEVE	UNIT DRY WT IN PCF	S.S. BY P.P.	BLOWS PER FOOT	SHEAR STRENGTH TSF	LIQUID LIMIT	PLASTICITY INDEX	Plastic Limit Liquid Limit Moisture Content % - •
0											20 40 60 80
		TP	Dark Brown Clay								•
		TP	Tan Marl -with Caliche								•
5			Mini-Excavator Refusal TP = Test Pit Sample								
10											
15											
20											
25											
30											
35											

Notes:

Ground Water Observed: No

Completion Depth (ft): 4

S.S by P.P - Shear Strength in TSF
by Hand Penetrometer

S.S. - Split Spoon Sample
S.T. - Shelby Tube Sample

HA - Hand Auger
AU - Auger Sample

Plate: 4

PROJECT: Blackwell Tract - FM 1044

PROJECT NO: S241199

LOCATION: New Braunfels, Texas

DATE: 07/18/2024

CLIENT: Beazer Homes



TEST PIT NO. TP-4

DEPTH (feet)	SYMBOL	SAMPLES	SOIL DESCRIPTION	% MINUS 200 SIEVE	UNIT DRY WT IN PCF	S.S. BY P.P.	BLOWS PER FOOT	SHEAR STRENGTH TSF	LIQUID LIMIT	PLASTICITY INDEX	
0											
	[Hatched]	TP	Dark Brown Clay								Plastic Limit ——— Liquid Limit Moisture Content % - ● 20 40 60 80
		TP									
5	[Hatched]	TP	Tan and Gray Clay						63	44	
			Mini-Excavator Refusal TP = Test Pit Sample								
10											
15											
20											
25											
30											
35											

Notes:

Ground Water Observed: No

Completion Depth (ft): 6

S.S by P.P - Shear Strength in TSF by Hand Penetrometer

S.S. - Split Spoon Sample
S.T. - Shelby Tube Sample

HA - Hand Auger
AU - Auger Sample

Plate: 5

PROJECT: Blackwell Tract - FM 1044

PROJECT NO: S241199

LOCATION: New Braunfels, Texas

DATE: 07/18/2024

CLIENT: Beazer Homes



TEST PIT NO. TP-5

DEPTH (feet)	SYMBOL	SAMPLES	SOIL DESCRIPTION	% MINUS 200 SIEVE	UNIT DRY WT IN PCF	S.S. BY P.P.	BLOWS PER FOOT	SHEAR STRENGTH TSF	LIQUID LIMIT	PLASTICITY INDEX	
0											
		TP	Dark Brown Clay								
		TP	Tan Clay to Tan Calcareous Clay -with Sandy Clay Seams, Caliche, and Gravel						49	25	
5		TP									
			Mini-Excavator Refusal TP = Test Pit Sample								
10											
15											
20											
25											
30											
35											

Notes:

Ground Water Observed: No

Completion Depth (ft): 6

S.S by P.P - Shear Strength in TSF
by Hand Penetrometer

S.S. - Split Spoon Sample
S.T. - Shelby Tube Sample

HA - Hand Auger
AU - Auger Sample

Plate: 6

PROJECT: Blackwell Tract - FM 1044

PROJECT NO: S241199

LOCATION: New Braunfels, Texas

DATE: 07/18/2024

CLIENT: Beazer Homes



TEST PIT NO. TP-6

DEPTH (feet)	SYMBOL	SAMPLES	SOIL DESCRIPTION	% MINUS 200 SIEVE	UNIT DRY WT IN PCF	S.S. BY P.P.	BLOWS PER FOOT	SHEAR STRENGTH TSF	LIQUID LIMIT	PLASTICITY INDEX	
0											
		TP	Dark Brown Clay								
		TP	Tan and Gray Clay -with Caliche -with Calcareous Clay Seams								
5		TP							44	29	
		TP									
10			Mini-Excavator Refusal TP = Test Pit Sample								
15											
20											
25											
30											
35											

Plastic Limit ——— Liquid Limit
Moisture Content % - ●

Notes:

Ground Water Observed: No

Completion Depth (ft): 8

S.S by P.P - Shear Strength in TSF
by Hand Penetrometer

S.S. - Split Spoon Sample
S.T. - Shelby Tube Sample

HA - Hand Auger
AU - Auger Sample

Plate: 7

PROJECT: Blackwell Tract - FM 1044

LOCATION: New Braunfels, Texas

CLIENT: Beazer Homes

PROJECT NO: S241199

DATE: 07/18/2024



TEST PIT NO. TP-7

DEPTH (feet)	SYMBOL	SAMPLES	SOIL DESCRIPTION	% MINUS 200 SIEVE	UNIT DRY WT IN PCF	S.S. BY P.P.	BLOWS PER FOOT	SHEAR STRENGTH TSF	LIQUID LIMIT	PLASTICITY INDEX	
0											
		TP	Dark Brown Clay								<p>Plastic Limit ——— Liquid Limit Moisture Content % - •</p>
		TP	Light Tan Clay to Tan Calcareous Clay -with Caliche						64	44	
5		TP									
		TP									
10			Mini-Excavator Refusal TP = Test Pit Sample								
15											
20											
25											
30											
35											

Notes:

Ground Water Observed: No

Completion Depth (ft): 8

S.S by P.P - Shear Strength in TSF
by Hand Penetrometer

S.S. - Split Spoon Sample
S.T. - Shelby Tube Sample

HA - Hand Auger
AU - Auger Sample

Plate: 8

PROJECT: Blackwell Tract - FM 1044

PROJECT NO: S241199

LOCATION: New Braunfels, Texas

DATE: 07/18/2024

CLIENT: Beazer Homes



TEST PIT NO. TP-8

DEPTH (feet)	SYMBOL	SAMPLES	SOIL DESCRIPTION	% MINUS 200 SIEVE	UNIT DRY WT IN PCF	S.S. BY P.P.	BLOWS PER FOOT	SHEAR STRENGTH TSF	LIQUID LIMIT	PLASTICITY INDEX	
0											
	[Hatched Pattern]	TP	Dark Brown Clay to Dark Gray Clay								
		TP									
5		TP									
		TP									
10			Mini-Excavator Refusal TP = Test Pit Sample								
15											
20											
25											
30											
35											

Notes:

Ground Water Observed: No

Completion Depth (ft): 8

S.S by P.P - Shear Strength in TSF by Hand Penetrometer

S.S. - Split Spoon Sample
S.T. - Shelby Tube Sample

HA - Hand Auger
AU - Auger Sample

Plate: 9

PROJECT: Blackwell Tract - FM 1044

PROJECT NO: S241199

LOCATION: New Braunfels, Texas

DATE: 07/18/2024

CLIENT: Beazer Homes



TEST PIT NO. TP-9

DEPTH (feet)	SYMBOL	SAMPLES	SOIL DESCRIPTION	% MINUS 200 SIEVE	UNIT DRY WT IN PCF	S.S. BY P.P.	BLOWS PER FOOT	SHEAR STRENGTH TSF	LIQUID LIMIT	PLASTICITY INDEX	
0											
		TP	Brown Clay and Caliche								
		TP	Tan Clay to Tan Calcareous Clay -with Caliche -with Marl Seams								
5		TP									
		TP									
10			Mini-Excavator Refusal TP = Test Pit Sample								
15											
20											
25											
30											
35											

Notes:

Ground Water Observed: No

Completion Depth (ft): 8

S.S by P.P - Shear Strength in TSF by Hand Penetrometer

S.S. - Split Spoon Sample
S.T. - Shelby Tube Sample

HA - Hand Auger
AU - Auger Sample

Plate: 10

PROJECT: Blackwell Tract - FM 1044

PROJECT NO: S241199

LOCATION: New Braunfels, Texas

DATE: 07/18/2024

CLIENT: Beazer Homes

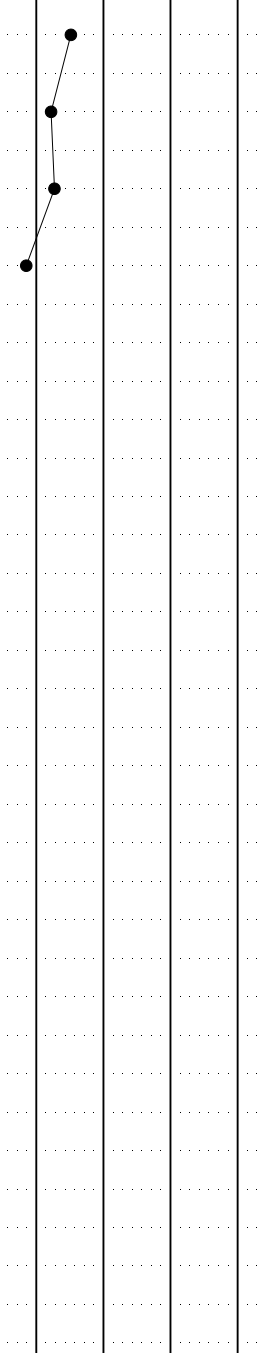


TEST PIT NO. TP-10

DEPTH (feet)	SYMBOL	SAMPLES	SOIL DESCRIPTION	% MINUS 200 SIEVE	UNIT DRY WT IN PCF	S.S. BY P.P.	BLOWS PER FOOT	SHEAR STRENGTH TSF	LIQUID LIMIT	PLASTICITY INDEX	
0											
		TP	Dark Brown Clay to Dark Gray Clay								
		TP									
5		TP	Tan Clay to Tan Calcareous Clay -with Caliche								
		TP									
10			Mini-Excavator Refusal TP = Test Pit Sample								
15											
20											
25											
30											
35											

Plastic Limit ——— Liquid Limit
Moisture Content % - ●

20 40 60 80



Notes:

Ground Water Observed: No

Completion Depth (ft): 9

S.S by P.P - Shear Strength in TSF
by Hand Penetrometer

S.S. - Split Spoon Sample
S.T. - Shelby Tube Sample

HA - Hand Auger
AU - Auger Sample

Plate: 11

PROJECT: Blackwell Tract - FM 1044

PROJECT NO: S241199

LOCATION: New Braunfels, Texas

DATE: 07/18/2024

CLIENT: Beazer Homes



TEST PIT NO. TP-11

DEPTH (feet)	SYMBOL	SAMPLES	SOIL DESCRIPTION	% MINUS 200 SIEVE	UNIT DRY WT IN PCF	S.S. BY P.P.	BLOWS PER FOOT	SHEAR STRENGTH TSF	LIQUID LIMIT	PLASTICITY INDEX	
0											Plastic Limit Liquid Limit Moisture Content % - • 20 40 60 80
	Diagonal Hatching	TP	Dark Brown Clay								
	Diagonal Hatching	TP									
5	Diagonal Hatching	TP									
	Diagonal Hatching	TP	Tan Clay to Tan Calcareous Clay -with Caliche						63	42	
10			Mini-Excavator Refusal TP = Test Pit Sample								
15											
20											
25											
30											
35											

Notes:

Ground Water Observed: No

Completion Depth (ft): 8

S.S by P.P - Shear Strength in TSF by Hand Penetrometer

S.S. - Split Spoon Sample
S.T. - Shelby Tube Sample

HA - Hand Auger
AU - Auger Sample

Plate: 12

PROJECT: Blackwell Tract - FM 1044

PROJECT NO: S241199

LOCATION: New Braunfels, Texas

DATE: 07/18/2024

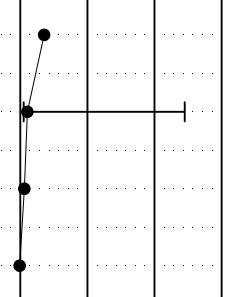
CLIENT: Beazer Homes



TEST PIT NO. TP-12

DEPTH (feet)	SYMBOL	SAMPLES	SOIL DESCRIPTION	% MINUS 200 SIEVE	UNIT DRY WT IN PCF	S.S. BY P.P.	BLOWS PER FOOT	SHEAR STRENGTH TSF	LIQUID LIMIT	PLASTICITY INDEX	
0											
		TP	Dark Brown Clay								
		TP							69	48	
5		TP									
		TP	Tan Clay to Tan Calcareous Clay -with Caliche								
10			Mini-Excavator Refusal TP = Test Pit Sample								
15											
20											
25											
30											
35											

Plastic Limit ——— Liquid Limit
 Moisture Content % - ●
 20 40 60 80



Notes:

Ground Water Observed: No

Completion Depth (ft): 8

S.S by P.P - Shear Strength in TSF by Hand Penetrometer

S.S. - Split Spoon Sample
S.T. - Shelby Tube Sample

HA - Hand Auger
AU - Auger Sample

Plate: 13

KEY TO CLASSIFICATIONS AND SYMBOLS

<u>Soil Fractions</u>		<u>Soil or Rock Types</u> (Shown in symbols column) (Predominate Soil Types Shown Heavy)		
<u>Component</u>	<u>Size Range</u>			
Boulders	Greater than 12"			
Cobbles	3" - 12"			
Gravel	3" - #4 (4.76mm)			
Coarse	3" - 3/4"			
Fine	3/4" - #4			
Sand	#4 - #200 (0.074mm)			
Coarse	#4 - #10 (2.00mm)			
Medium	#10 - #40 (0.42mm)			
Fine	#40 - #200 (0.074mm)			
Silt and Clay	Less than #200			
		Silt	Clay	Marl
		Shale	Sand	Sandy Gravel
		Limestone	Sandy Clay	Gravel

TERMS DESCRIBING SOIL CONSISTENCY

<u>Description</u> (Cohesive <u>Soils</u>)	<u>Unconfined</u> <u>Compression</u> <u>TSF</u>	<u>Blows/Ft.</u> <u>Std. Penetration</u> <u>Test</u>	<u>Description</u> (Cohesionless <u>Soils</u>)	<u>Blows/Ft.</u> <u>Std. Penetration</u> <u>Tests</u>
Very Soft	0.25	<2	Very Loose	0 - 4
Soft	0.25 - 0.50	2 - 4	Loose	4 - 10
Firm	0.50 - 1.00	4 - 8	Medium Dense	10 - 30
Stiff	1.00 - 2.00	8 - 15	Dense	30 - 50
Very Stiff	2.00 - 4.00	15 - 30	Very Dense	50
Hard	>4.00	>30		

SOIL STRUCTURE

Calcareous	Containing deposits of calcium carbonate; generally nodular.
Slickenside	Having inclined planes of weakness that are slick and glossy in appearance.
Laminated	Composed of thin layers of varying color and texture.
Fissured	Containing shrinkage cracks frequently filled with fine sand or silt. Usually more or less vertical.
Interbedded	Composed of alternate layers of different soil types.
Jointed	Consisting of hair cracks that fall apart as soon as the confining pressure is removed.
Varved	Consisting of alternate thin layers of sand, silt or clay formed by variations in sedimentations during the various seasons of the year, of often exhibiting contrasting colors when partially dried. Each layer is generally less than 1/2" in thickness.
Stratified	Composed of, or arranged in layers (usually 1 inch or more)
Well-graded	Having a wide range of grain sizes and substantial amount of all intermediate particle sizes.
Poorly or Gap-graded	Having a range of sizes with some intermediate sizes missing.
Uniformly-graded	Predominantly of one grain size.

Subsurface Exploration and Pavement Analysis
Proposed New Streets
Blackwell Tract
FM 1044
New Braunfels, Texas

InTEC Project Number:
S241199-P

Date:
07/12/2024

Calculations

CBR = 1.9

Table No. 2 – Minimum Asphalt Pavement Sections
City of New Braunfels, Texas

	Residential Local	Residential Collector
Asphalt (Type D, TxDOT Item 340)	3 inches	3 inches
Aggregate Base (TxDOT Item 247 A2)	12 inches	15 inches
Subgrade	6 inches	6 inches

Subsurface Exploration and Pavement Analysis
Proposed New Streets
Blackwell Tract
FM 1044
New Braunfels, Texas

InTEC Project Number:
S241199-P

Date:
08/08/2024

Asphalt Pavement Design Analysis



Design	Reference
Project	Location
Customer	Designer: Murali Subramaniam
Company: InTEC	Date: March 8, 2024

Results



Total HMA thickness should be within the same range on both pavement sections for accurate comparison: 2-3 in | 3-6 in | 6-14 in

	Thickness	Coeff.	SN		Thickness	Coeff.	SN
HMA layer 1	4 in	0.440	1.760	HMA layer 1	3 in	0.440	1.320
HMA layer 2	4 in	0.440	0.560	Aggregate base	12 in	0.140	1.680
Aggregate base (NX750)	6 in	0.291	1.746	Subbase	6 in	0.080	0.480
Subbase	8 in	0.080	0.640	Structural number (SN)			3.480
Structural number (SN)			4.706				

Parameters

Project Information

Target ESALs	Subgrade resilient modulus	Reliability	Standard deviation	Serviceability	
				Initial	Terminal
100,000	2,850 psi	70%	0.45	4.2	2

This report was prepared using Tensor+ (2.11.4)
© 1998-2024 Tensor International Corporation. All rights reserved. Tensor is a registered trademark.

Limitations of this Report

You undertake to only use the Tensor+ software tool and its output solely to evaluate the application of Tensor geogrids, and strictly according to the Terms of Use. The suitability of the software output and Tensor International's geogrids for any project is the sole responsibility of you, and your employees, contractors or other third parties who access the Tensor+ software tool and its output ("Your Associates"). The Tensor+ software output is merely illustrative and is not a detailed design. You will ensure that you and Your Associates have undergone all necessary training through Tensor International and/or have the necessary expertise and experience to use the Tensor+ software tool and its output correctly and safely. Copyright in the Tensor+ software output belongs to Tensor International. It may not be reproduced in whole or in part without the prior written permission of Tensor International except to Your Associates provided it is only disclosed for the purpose of evaluating the commercial application for the use of Tensor International's geogrids, and you are fully liable for Your Associates' acts or omissions. The Tensor+ software output does not form the whole or any part of a contract.

Subsurface Exploration and Pavement Analysis
Proposed New Streets
Blackwell Tract
FM 1044
New Braunfels, Texas

Residential Local

InTEC Project Number:
S241199-P

Date:
08/08/2024

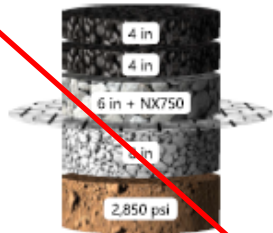
Asphalt Pavement Design Analysis



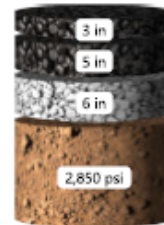
Design		Reference	
Project		Location	
Customer		Designer	Murali Subramaniam
Company	InTEC	Date	March 8, 2024

Results

Stabilized
2,634,400 ESALs



Unstabilized
329,700 ESALs



	Thickness	Coeff.	SN
HMA layer 1	4 in	0.440	1.760
HMA layer 2	4 in	0.340	0.560
Aggregate base (NX750)	6 in	0.291	1.746
Subbase	8 in	0.080	0.640
Structural number (SN)			4.706

	Thickness	Coeff.	SN
HMA layer 1	3 in	0.440	1.320
HMA layer 2	5 in	0.340	1.700
Subbase	6 in	0.080	0.480
Structural number (SN)			3.500

Parameters

Project Information

Target ESALs	Subgrade resilient modulus	Reliability	Standard deviation	Serviceability	
				Initial	Terminal
100,000	2,850 psi	70%	0.45	4.2	2

This report was prepared using Tensor+ (2.11.4).
© 1999-2024 Tensor International Corporation. All rights reserved. Tensor is a registered trademark.

Limitations of this Report

You undertake to only use the Tensor+ software tool and its output solely to evaluate the application of Tensor geogrids, and strictly according to the Terms of Use. The suitability of the software output and Tensor International's geogrids for any project is the sole responsibility of you, and your employees, contractors or other third parties who access the Tensor+ software tool and its output ("Your Associates"). The Tensor+ software output is merely illustrative and is not a detailed design. You will ensure that you and Your Associates have undergone all necessary training through Tensor International and/or have the necessary expertise and experience to use the Tensor+ software tool and its output correctly and safely. Copyright in the Tensor+ software output belongs to Tensor International. It may not be reproduced in whole or in part without the prior written permission of Tensor International except to Your Associates provided it is only disclosed for the purpose of evaluating the commercial application for the use of Tensor International's geogrids, and you are fully liable for your Associates' acts or omissions. The Tensor+ software output does not form the whole or any part of a contract.

Subsurface Exploration and Pavement Analysis
Proposed New Streets
Blackwell Tract
FM 1044
New Braunfels, Texas

Residential Local

InTEC Project Number:
S241199-P

Date:
08/08/2024

Asphalt Pavement Design Analysis

Design	Reference
Project	Location
Customer	Designer: Murali Subramaniam
Company: InTEC	Date: March 8, 2024

Results



Total HMA thickness should be within the same range on both pavement sections for accurate comparison: 2-3 in | 3-6 in | 6-14 in

	Thickness	Coeff.	SN
HMA layer 1	4 in	0.440	1.760
HMA layer 2	4 in	0.140	0.560
Aggregate base (NX750)	6 in	0.291	1.746
Subbase	8 in	0.080	0.640
Structural number (SN)			4.706

	Thickness	Coeff.	SN
HMA layer 1	4 in	0.440	1.760
Aggregate base	16 in	0.140	2.240
Subbase	8 in	0.080	0.640
Structural number (SN)			4.640

Parameters

Project Information

Target ESALs	Subgrade resilient modulus	Reliability	Standard deviation	Serviceability	
				Initial	Terminal
1,000,000	2,850 psi	90%	0.45	4.2	2

This report was prepared using Tensar+ (2.11.4)

© 1998-2024 Tensar International Corporation. All rights reserved. Tensar is a registered trademark.

Limitations of this Report

You undertake to only use the Tensar+ software tool and its output solely to evaluate the application of Tensar geogrids, and strictly according to the Terms of Use. The suitability of the software output and Tensar International's geogrids for any project is the sole responsibility of you, and your employees, contractors or other third parties who access the Tensar+ software tool and its output ("Your Associates"). The Tensar+ software output is merely illustrative and is not a detailed design. You will ensure that you and Your Associates have undergone all necessary training through Tensar International and/or have the necessary expertise and experience to use the Tensar+ software tool and its output correctly and safely. Copyright in the Tensar+ software output belongs to Tensar International. It may not be reproduced in whole or in part without the prior written permission of Tensar International except to Your Associates provided it is only disclosed for the purpose of evaluating the commercial application for the use of Tensar International's geogrids, and you are fully liable for Your Associates' acts or omissions. The Tensar+ software output does not form the whole or any part of a contract.

Subsurface Exploration and Pavement Analysis
Proposed New Streets
Blackwell Tract
FM 1044
New Braunfels, Texas

Residential Collector

InTEC Project Number:
S241199-P

Date:
08/08/2024

Asphalt Pavement Design Analysis



Design	Reference
Project	Location
Customer	Designer: Murali Subramaniam
Company: InTEC	Date: March 8, 2024

Results



Total HMA thickness should be within the same range on both pavement sections for accurate comparison: 2-3 in | 3-6 in | 6-14 in

	Thickness	Coeff.	SN
HMA layer 1	4 in	0.440	1.760
HMA layer 2	4 in	0.170	0.560
Aggregate base (NX750)	6 in	0.291	1.746
Subbase	8 in	0.080	0.640
Structural number (SN)			4.706

	Thickness	Coeff.	SN
HMA layer 1	3 in	0.440	1.320
Aggregate base	15.5 in	0.170	2.635
Subbase	8 in	0.080	0.640
Structural number (SN)			4.595

Parameters

Project Information

Target ESALs	Subgrade resilient modulus	Reliability	Standard deviation	Serviceability	
				Initial	Terminal
1,000,000	2,850 psi	90%	0.45	4.2	2

This report was prepared using Tensor+ (2.11.4).

© 1998-2024 Tensor International Corporation. All rights reserved. Tensor is a registered trademark.

Limitations of this Report

You undertake to only use the Tensor+ software tool and its output solely to evaluate the application of Tensor geogrids, and strictly according to the Terms of Use. The suitability of the software output and Tensor International's geogrids for any project is the sole responsibility of you, and your employees, contractors or other third parties who access the Tensor+ software tool and its output ("Your Associates"). The Tensor+ software output is merely illustrative and is not a detailed design. You will ensure that you and Your Associates have undergone all necessary training through Tensor International and/or have the necessary expertise and experience to use the Tensor+ software tool and its output correctly and safely. Copyright in the Tensor+ software output belongs to Tensor International. It may not be reproduced in whole or in part without the prior written permission of Tensor International except to Your Associates provided it is only disclosed for the purpose of evaluating the commercial application for the use of Tensor International's geogrids, and you are fully liable for Your Associates' acts or omissions. The Tensor+ software output does not form the whole or any part of a contract.

Geogrid option calculated with adjusted structural coefficient value (0.17)

Subsurface Exploration and Pavement Analysis
Proposed New Streets
Blackwell Tract
FM 1044
New Braunfels, Texas

Residential Collector

InTEC Project Number:
S241199-P

Date:
08/08/2024

Asphalt Pavement Design Analysis



Design	Reference
Project	Location
Customer	Designer: Murali Subramaniam
Company: InTEC	Date: March 8, 2024

Results



	Thickness	Coeff.	SN
HMA layer 1	4 in	0.440	1.760
HMA layer 2	4 in	0.340	0.560
Aggregate base (NX750)	6 in	0.291	1.746
Subbase	8 in	0.080	0.640
Structural number (SN)			4.706

	Thickness	Coeff.	SN
HMA layer 1	3 in	0.440	1.320
HMA layer 2	8 in	0.340	2.720
Subbase	8 in	0.080	0.640
Structural number (SN)			4.680

Parameters

Project Information

Target ESALs	Subgrade resilient modulus	Reliability	Standard deviation	Serviceability	
				Initial	Terminal
1,000,000	2,850 psi	90%	0.45	4.2	2

This report was prepared using Tensor+ (2.11.4)
© 1998-2024 Tensor International Corporation. All rights reserved. Tensor is a registered trademark.

Limitations of this Report
You undertake to only use the Tensor+ software tool and its output solely to evaluate the application of Tensor geogrids, and strictly according to the Terms of Use. The suitability of the software output and Tensor International's geogrids for any project is the sole responsibility of you, and your employees, contractors or other third parties who access the Tensor+ software tool and its output ("Your Associates"). The Tensor+ software output is merely illustrative and is not a detailed design. You will ensure that you and Your Associates have undergone all necessary training through Tensor International and/or have the necessary expertise and experience to use the Tensor+ software tool and its output correctly and safely. Copyright in the Tensor+ software output belongs to Tensor International. It may not be reproduced in whole or in part without the prior written permission of Tensor International except for Your Associates provided it is only disclosed for the purpose of evaluating the commercial application for the use of Tensor International's geogrids, and you are fully liable for Your Associates' acts or omissions. The Tensor+ software output does not form the whole or any part of a contract.

Subsurface Exploration and Pavement Analysis
Proposed New Streets
Blackwell Tract
FM 1044
New Braunfels, Texas

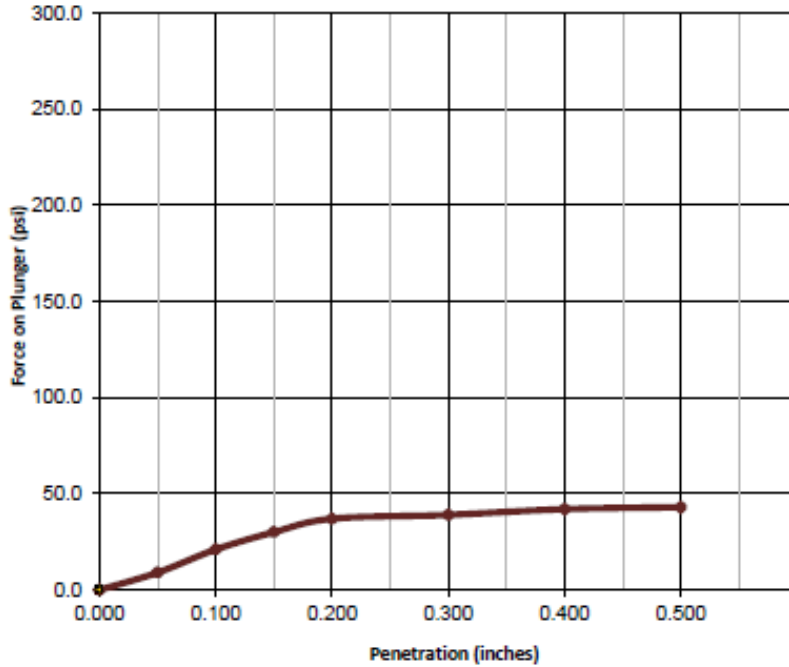
Residential Collector

InTEC Project Number:
S241199-P

Date:
08/08/2024



Load Penetration Curve



CBR Results

Results	A	B	C	D	Average
0.1 in Pen.	2.1				
0.2 in Pen.	2.4				
Moisture (%)	21.20				
Density (pcf)	97.80				
Final Moisture (%)	30.70				
Final Density (pcf)	88.20				

Project Number	S241199-P		Sample Location	
Project Name	Blackwell Tract		Specimen A	Vicinity of TP-8
Date	8/18/2024			
Client	Beazer Homes		Specimen C	
			Specimen D	
Job Ref.		Liquid Limit:	82.0	
Sample Num.		Plastic Limit:	21.0	
Remarks	Dark Brown Clay			

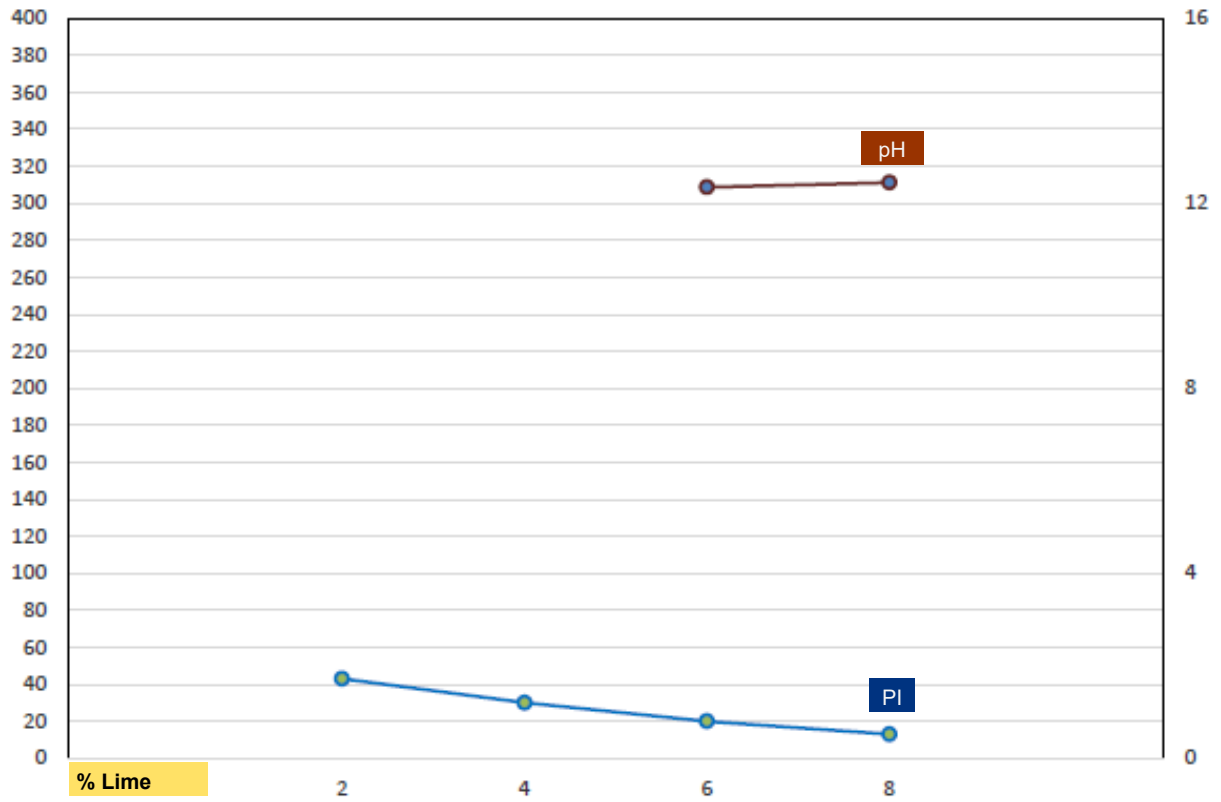
Subsurface Exploration and Pavement Analysis
 Proposed New Streets
 Blackwell Tract
 FM 1044
 New Braunfels, Texas

CBR Test Results

InTEC Project Number:
S241199-P

Date:
 08/08/2024

Lime Series Curves



Subsurface Exploration and Pavement Analysis
 Proposed New Streets
 Blackwell Tract
 FM 1044
 New Braunfels, Texas

Lime Series

InTEC Project Number:
S241199-P

Date:
 08/08/2024

Appendix

City of New Braunfels Residential Pavement Details

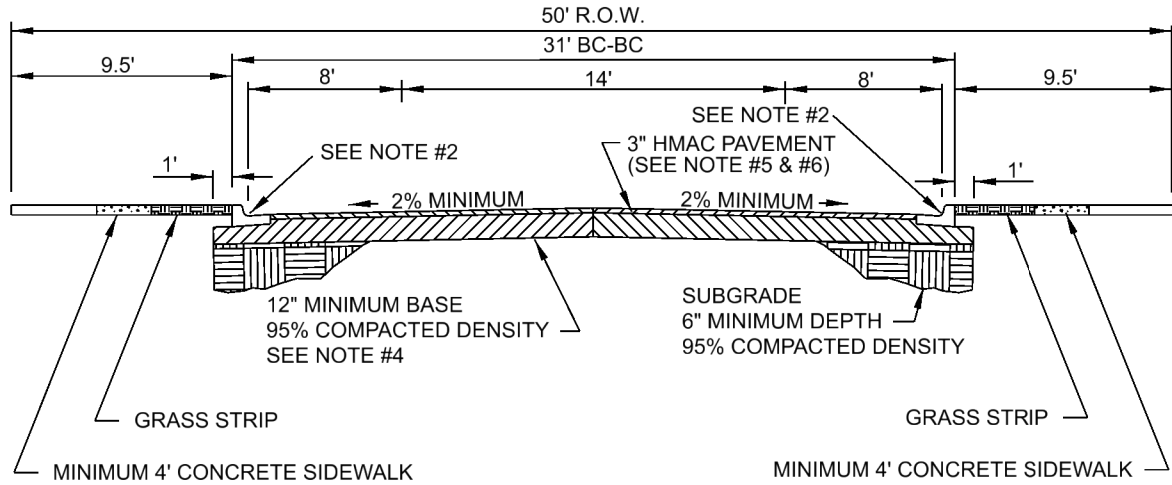
Important Information about this Geotechnical Report

Subsurface Exploration and Pavement Analysis
Proposed New Streets
Blackwell Tract
FM 1044
New Braunfels, Texas

InTEC Project Number:
S241199-P

Date:
08/08/2024

ONE & TWO FAMILY RESIDENTIAL LOCAL PARKING BOTH SIDES



NOTES:

1. STRUCTURAL SECTION REQUIRES DETAILED ENGINEERING DESIGN, SUBJECT TO THE APPROVAL OF THE CITY ENGINEER. CITY WILL ACCEPT DESIGNS THAT INCORPORATE BIAXIAL GEOGRID.
2. CITY WILL ACCEPT CURB AND GUTTER OR STAND-ALONE CURB.
SEE CURB DETAIL ST-013 (CURB & GUTTER) & ST-013a (STAND-ALONE CURB).
3. ROADWAY MEASUREMENT SHOWN FROM BACK OF CURB (BC).
4. FLEXIBLE BASE MATERIAL SHALL BE TYPE "A" GRADE 2 PER TXDOT STD.
5. ASPHALT CONCRETE PAVEMENT SHALL BE TYPE "D" HOT MIX PER TXDOT ITEM 340 (2004).
6. IN NO CASE SHALL THE HMAC SECTION BE LESS THAN THAT SHOWN.
7. BASE MUST EXTEND 1' BEYOND BACK OF CURB, 9" MINIMUM THICKNESS

11/9/2023 10:29:05 AM \\files\Departments\Public Works\Street Typical Sections\ST-011.dgn



ENGINEERING DIVISION

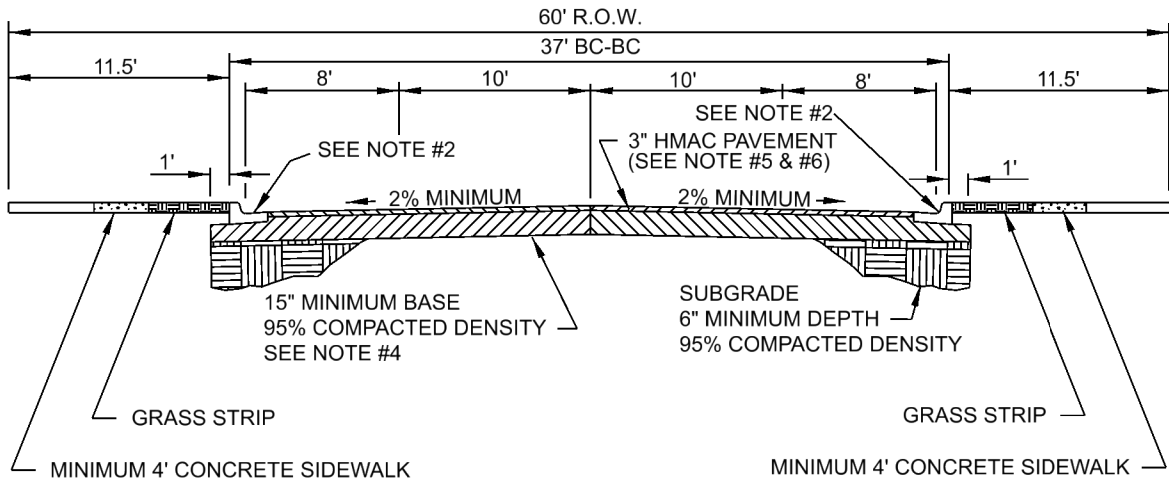
STANDARD CONSTRUCTION DETAIL

SCALE: N.T.S.

APPROVED DATE:

STANDARD NO: ST-011

RESIDENTIAL COLLECTOR PARKING BOTH SIDES



NOTES:

1. STRUCTURAL SECTION REQUIRES DETAILED ENGINEERING DESIGN, SUBJECT TO THE APPROVAL OF THE CITY ENGINEER. CITY WILL ACCEPT DESIGNS THAT INCORPORATE BIAXIAL GEOGRID.
2. CITY WILL ACCEPT CURB AND GUTTER OR STAND-ALONE GUTTER. SEE CURB DETAIL ST-013 (CURB & GUTTER) & ST-013a (STAND-ALONE GUTTER).
3. ROADWAY MEASUREMENT SHOWN FROM BACK OF CURB (BC).
4. FLEXIBLE BASE MATERIAL SHALL BE TYPE "A" GRADE 2 PER TXDOT STD.
5. ASPHALT CONCRETE PAVEMENT SHALL BE TYPE "D" HOT MIX PER TXDOT ITEM 340 (2004).
6. IN NO CASE SHALL THE HMAc SECTION BE LESS THAN THAT SHOWN.
7. BASE MUST EXTEND 1' BEYOND BACK OF CURB, 12" MINIMUM THICKNESS.

11/9/2023 10:28:39 AM \\files\depar\ements\Common\Public Works\Street\Typical Sections\ST-007.dgn

Important Information about This

Geotechnical-Engineering Report

Subsurface problems are a principal cause of construction delays, cost overruns, claims, and disputes.

While you cannot eliminate all such risks, you can manage them. The following information is provided to help.

The Geoprofessional Business Association (GBA) has prepared this advisory to help you – assumedly a client representative – interpret and apply this geotechnical-engineering report as effectively as possible. In that way, you can benefit from a lowered exposure to problems associated with subsurface conditions at project sites and development of them that, for decades, have been a principal cause of construction delays, cost overruns, claims, and disputes. If you have questions or want more information about any of the issues discussed herein, contact your GBA-member geotechnical engineer. Active engagement in GBA exposes geotechnical engineers to a wide array of risk-confrontation techniques that can be of genuine benefit for everyone involved with a construction project.

Understand the Geotechnical-Engineering Services Provided for this Report

Geotechnical-engineering services typically include the planning, collection, interpretation, and analysis of exploratory data from widely spaced borings and/or test pits. Field data are combined with results from laboratory tests of soil and rock samples obtained from field exploration (if applicable), observations made during site reconnaissance, and historical information to form one or more models of the expected subsurface conditions beneath the site. Local geology and alterations of the site surface and subsurface by previous and proposed construction are also important considerations. Geotechnical engineers apply their engineering training, experience, and judgment to adapt the requirements of the prospective project to the subsurface model(s). Estimates are made of the subsurface conditions that will likely be exposed during construction as well as the expected performance of foundations and other structures being planned and/or affected by construction activities.

The culmination of these geotechnical-engineering services is typically a geotechnical-engineering report providing the data obtained, a discussion of the subsurface model(s), the engineering and geologic engineering assessments and analyses made, and the recommendations developed to satisfy the given requirements of the project. These reports may be titled investigations, explorations, studies, assessments, or evaluations. Regardless of the title used, the geotechnical-engineering report is an engineering interpretation of the subsurface conditions within the context of the project and does not represent a close examination, systematic inquiry, or thorough investigation of all site and subsurface conditions.

Geotechnical-Engineering Services are Performed for Specific Purposes, Persons, and Projects, and At Specific Times

Geotechnical engineers structure their services to meet the specific needs, goals, and risk management preferences of their clients. A geotechnical-engineering study conducted for a given civil engineer

will not likely meet the needs of a civil-works constructor or even a different civil engineer. Because each geotechnical-engineering study is unique, each geotechnical-engineering report is unique, prepared *solely* for the client.

Likewise, geotechnical-engineering services are performed for a specific project and purpose. For example, it is unlikely that a geotechnical-engineering study for a refrigerated warehouse will be the same as one prepared for a parking garage; and a few borings drilled during a preliminary study to evaluate site feasibility will not be adequate to develop geotechnical design recommendations for the project.

Do not rely on this report if your geotechnical engineer prepared it:

- for a different client;
- for a different project or purpose;
- for a different site (that may or may not include all or a portion of the original site); or
- before important events occurred at the site or adjacent to it; e.g., man-made events like construction or environmental remediation, or natural events like floods, droughts, earthquakes, or groundwater fluctuations.

Note, too, the reliability of a geotechnical-engineering report can be affected by the passage of time, because of factors like changed subsurface conditions; new or modified codes, standards, or regulations; or new techniques or tools. *If you are the least bit uncertain* about the continued reliability of this report, contact your geotechnical engineer before applying the recommendations in it. A minor amount of additional testing or analysis after the passage of time – if any is required at all – could prevent major problems.

Read this Report in Full

Costly problems have occurred because those relying on a geotechnical-engineering report did not read the report in its entirety. Do not rely on an executive summary. Do not read selective elements only. *Read and refer to the report in full.*

You Need to Inform Your Geotechnical Engineer About Change

Your geotechnical engineer considered unique, project-specific factors when developing the scope of study behind this report and developing the confirmation-dependent recommendations the report conveys. Typical changes that could erode the reliability of this report include those that affect:

- the site's size or shape;
- the elevation, configuration, location, orientation, function or weight of the proposed structure and the desired performance criteria;
- the composition of the design team; or
- project ownership.

As a general rule, *always* inform your geotechnical engineer of project or site changes – even minor ones – and request an assessment of their impact. *The geotechnical engineer who prepared this report cannot accept*

responsibility or liability for problems that arise because the geotechnical engineer was not informed about developments the engineer otherwise would have considered.

Most of the “Findings” Related in This Report Are Professional Opinions

Before construction begins, geotechnical engineers explore a site’s subsurface using various sampling and testing procedures. *Geotechnical engineers can observe actual subsurface conditions only at those specific locations where sampling and testing is performed.* The data derived from that sampling and testing were reviewed by your geotechnical engineer, who then applied professional judgement to form opinions about subsurface conditions throughout the site. Actual sitewide-subsurface conditions may differ – maybe significantly – from those indicated in this report. Confront that risk by retaining your geotechnical engineer to serve on the design team through project completion to obtain informed guidance quickly, whenever needed.

This Report’s Recommendations Are Confirmation-Dependent

The recommendations included in this report – including any options or alternatives – are confirmation-dependent. In other words, they are not final, because the geotechnical engineer who developed them relied heavily on judgement and opinion to do so. Your geotechnical engineer can finalize the recommendations *only after observing actual subsurface conditions* exposed during construction. If through observation your geotechnical engineer confirms that the conditions assumed to exist actually do exist, the recommendations can be relied upon, assuming no other changes have occurred. *The geotechnical engineer who prepared this report cannot assume responsibility or liability for confirmation-dependent recommendations if you fail to retain that engineer to perform construction observation.*

This Report Could Be Misinterpreted

Other design professionals’ misinterpretation of geotechnical-engineering reports has resulted in costly problems. Confront that risk by having your geotechnical engineer serve as a continuing member of the design team, to:

- confer with other design-team members;
- help develop specifications;
- review pertinent elements of other design professionals’ plans and specifications; and
- be available whenever geotechnical-engineering guidance is needed.

You should also confront the risk of constructors misinterpreting this report. Do so by retaining your geotechnical engineer to participate in prebid and preconstruction conferences and to perform construction-phase observations.

Give Constructors a Complete Report and Guidance

Some owners and design professionals mistakenly believe they can shift unanticipated-subsurface-conditions liability to constructors by limiting the information they provide for bid preparation. To help prevent the costly, contentious problems this practice has caused, include the complete geotechnical-engineering report, along with any attachments or appendices, with your contract documents, *but be certain to note*

conspicuously that you’ve included the material for information purposes only. To avoid misunderstanding, you may also want to note that “informational purposes” means constructors have no right to rely on the interpretations, opinions, conclusions, or recommendations in the report. Be certain that constructors know they may learn about specific project requirements, including options selected from the report, *only* from the design drawings and specifications. Remind constructors that they may perform their own studies if they want to, and *be sure to allow enough time* to permit them to do so. Only then might you be in a position to give constructors the information available to you, while requiring them to at least share some of the financial responsibilities stemming from unanticipated conditions. Conducting prebid and preconstruction conferences can also be valuable in this respect.

Read Responsibility Provisions Closely

Some client representatives, design professionals, and constructors do not realize that geotechnical engineering is far less exact than other engineering disciplines. This happens in part because soil and rock on project sites are typically heterogeneous and not manufactured materials with well-defined engineering properties like steel and concrete. That lack of understanding has nurtured unrealistic expectations that have resulted in disappointments, delays, cost overruns, claims, and disputes. To confront that risk, geotechnical engineers commonly include explanatory provisions in their reports. Sometimes labeled “limitations,” many of these provisions indicate where geotechnical engineers’ responsibilities begin and end, to help others recognize their own responsibilities and risks. *Read these provisions closely.* Ask questions. Your geotechnical engineer should respond fully and frankly.

Geoenvironmental Concerns Are Not Covered

The personnel, equipment, and techniques used to perform an environmental study – e.g., a “phase-one” or “phase-two” environmental site assessment – differ significantly from those used to perform a geotechnical-engineering study. For that reason, a geotechnical-engineering report does not usually provide environmental findings, conclusions, or recommendations; e.g., about the likelihood of encountering underground storage tanks or regulated contaminants. *Unanticipated subsurface environmental problems have led to project failures.* If you have not obtained your own environmental information about the project site, ask your geotechnical consultant for a recommendation on how to find environmental risk-management guidance.

Obtain Professional Assistance to Deal with Moisture Infiltration and Mold

While your geotechnical engineer may have addressed groundwater, water infiltration, or similar issues in this report, the engineer’s services were not designed, conducted, or intended to prevent migration of moisture – including water vapor – from the soil through building slabs and walls and into the building interior, where it can cause mold growth and material-performance deficiencies. Accordingly, *proper implementation of the geotechnical engineer’s recommendations will not of itself be sufficient to prevent moisture infiltration.* **Confront the risk of moisture infiltration** by including building-envelope or mold specialists on the design team. **Geotechnical engineers are not building-envelope or mold specialists.**



Telephone: 301/565-2733

e-mail: info@geoprofessional.org www.geoprofessional.org

Copyright 2019 by Geoprofessional Business Association (GBA). Duplication, reproduction, or copying of this document, in whole or in part, by any means whatsoever, is strictly prohibited, except with GBA’s specific written permission. Excerpting, quoting, or otherwise extracting wording from this document is permitted only with the express written permission of GBA, and only for purposes of scholarly research or book review. Only members of GBA may use this document or its wording as a complement to or as an element of a report of any kind. Any other firm, individual, or other entity that so uses this document without being a GBA member could be committing negligent or intentional (fraudulent) misrepresentation.