

This specification shall be used only in conjunction with the NBU Electrical Connection Policy and may not reflect all requirements of a specific installation.

Locations are determined by NBU. All customer installations require inspection by NBU.

Underground conduit installed according to NBU specification EU-910. **Conduit to be sized by NBU** and have 1" projection above top of concrete. Pull string to be installed by customer in each conduit.

Install #6 copper inside 1/2" conduit. Connect #6 copper to ground rod and leave 5' coil buried outside of slab at 12" depth.

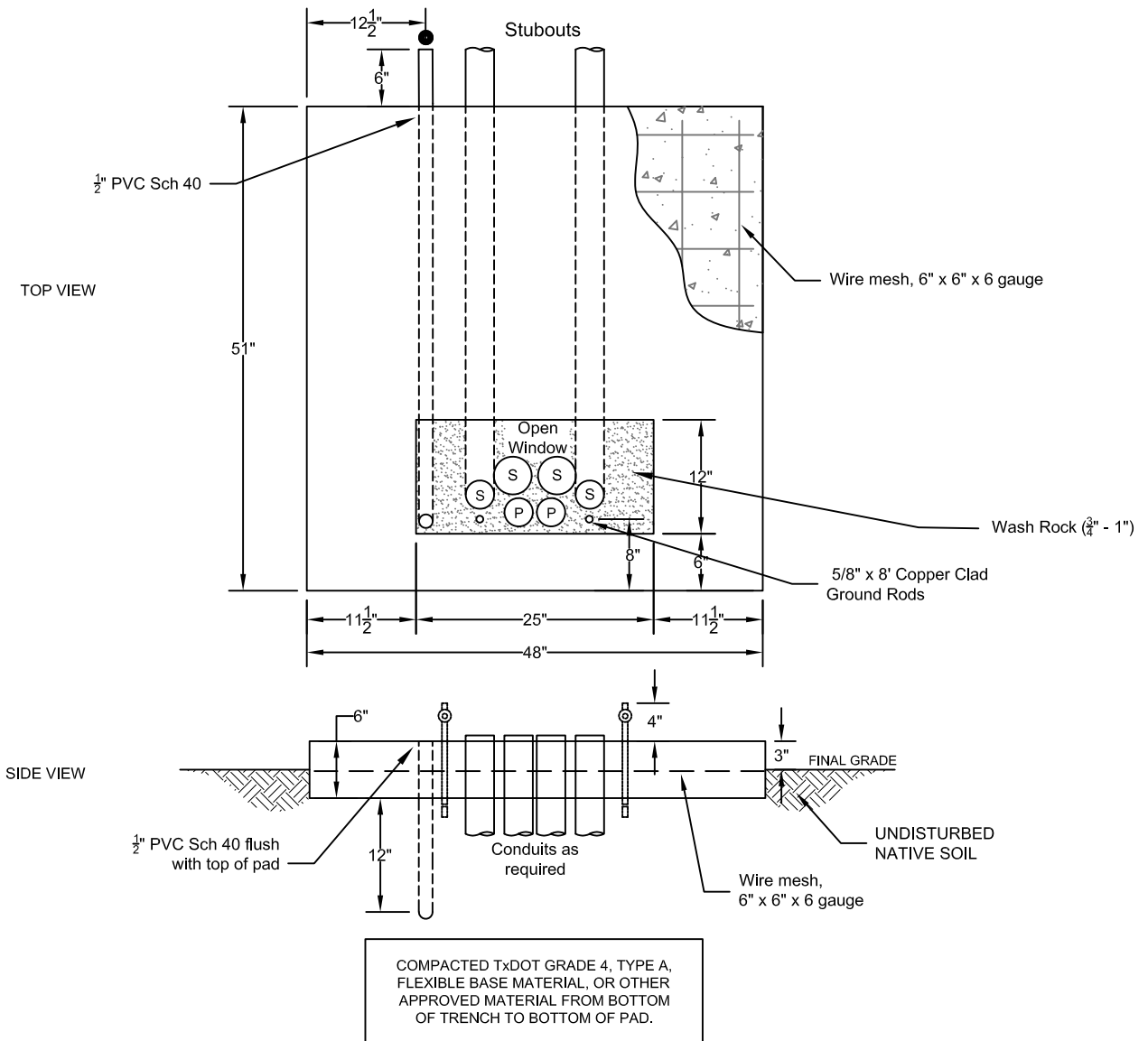
Copper-clad ground rods, 5'8" x 8', 2 required, to have 4" projection above top of concrete.

Concrete shall be 3000 PSI minimum.

All primary and secondary stub outs shall be 10'-0" minimum.

Conduit positions, concrete forms, re-bar, and trench compaction to be approved by NBU before concrete is poured

DiversiTech Part # F4851-62CL1225 suitable substitute for poured-in-place.



Electric Engineering
 355 FM 306
 PO Box 310289
 New Braunfels, TX 78131-0289
 830-608-8951

SINGLE PHASE TRANSFORMER PAD

ISSUED

12/25

SCALE

NTS

DRAWING NUMBER

EU-530