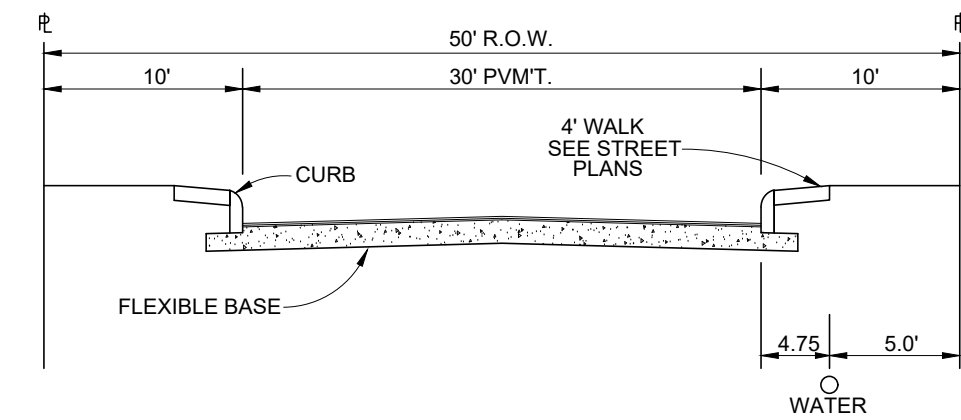


# UTILITY CONSTRUCTION PLANS FOR RANDOLPH LANDING



LOCATION MAP  
NOT TO SCALE



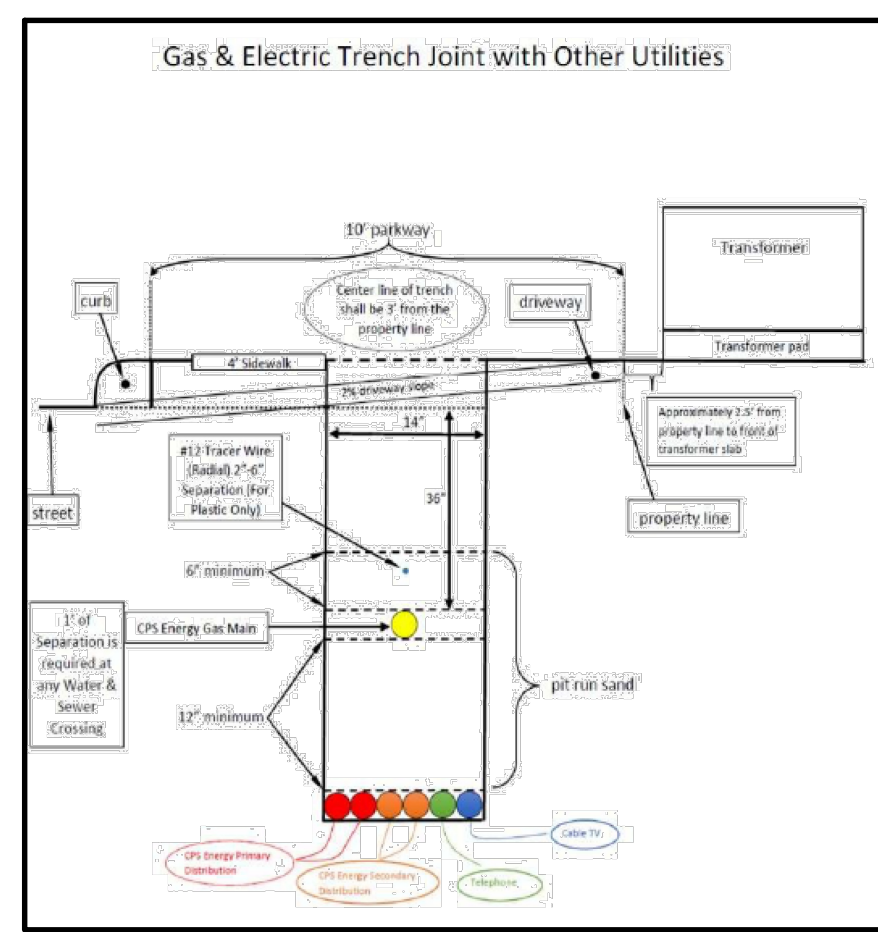
TYPICAL LOCAL "A" STREET SECTION  
NOT TO SCALE

**NOTE:**

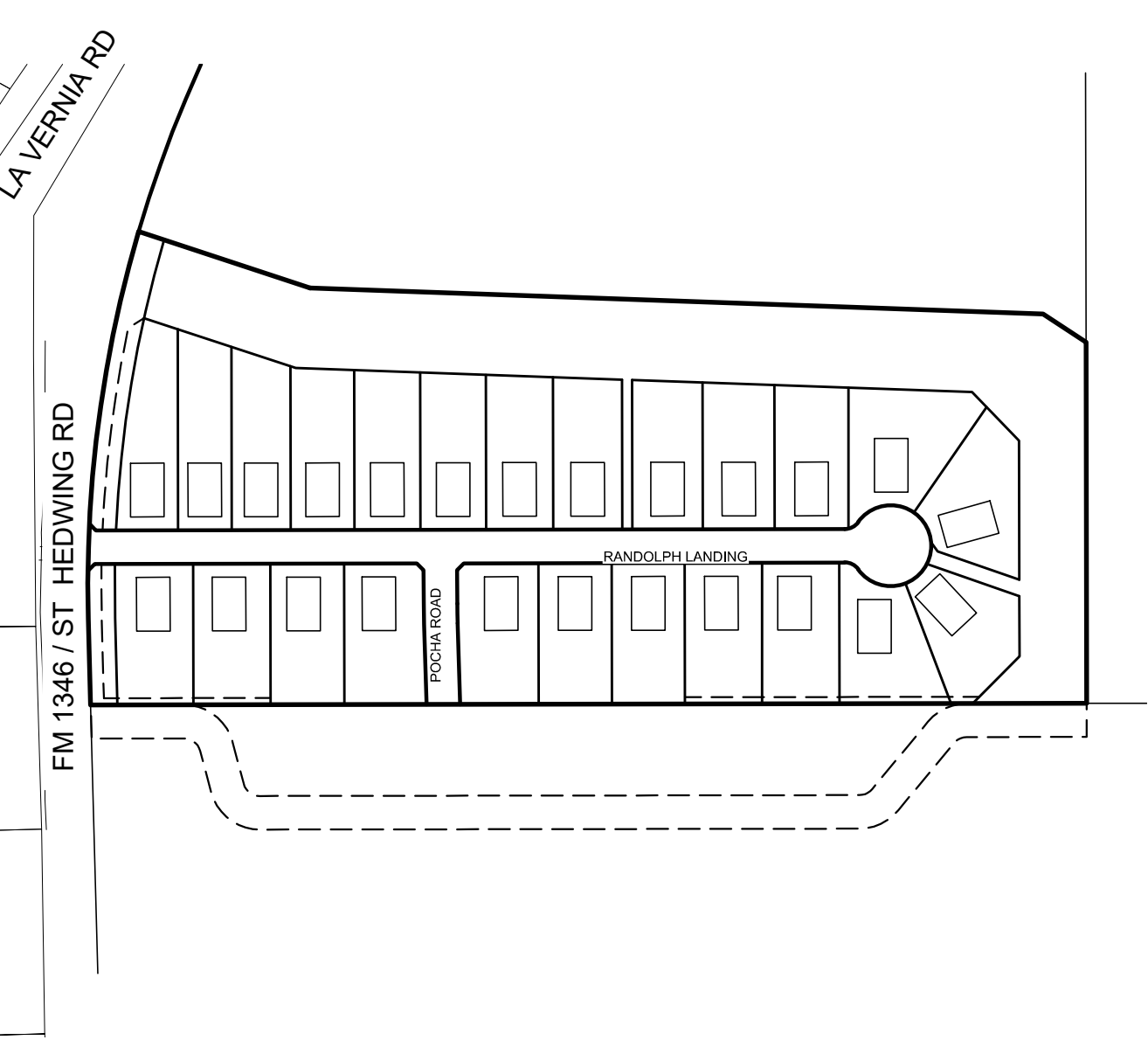
- 6" P.V.C. SCHEDULE 80 CONDUIT WILL BE REQUIRED FOR C.P.S. UTILITY CROSSING FROM ROW TO ROW AT A DEPTH OF 36" BELOW FINAL GRADE, WHEN STREET OR DRAIN CONSTRUCTION PRECEDES UTILITY INSTALLATION.
- 4" P.V.C. SCHEDULE 40 CONDUIT WILL BE REQUIRED FOR UNDERGROUND TELEPHONE AND CABLE T.V. FROM ROW TO ROW AT A DEPTH OF 36" BELOW FINAL GRADE, WHEN STREET OR DRAIN CONSTRUCTION PRECEDES UTILITY INSTALLATION.
- P.V.C. CONDUIT SHALL HAVE 90° SWEEPS/BENDS TO 6" ABOVE GRADE WITH CAP. IF CONDUIT IS NOT INSTALLED 6" ABOVE FINAL GRADE IT SHALL BE CONTRACTORS RESPONSIBILITY TO UNDERCOVER CONDUIT ENDS FOR EACH UTILITY PROVIDER AS NECESSARY.
- IF OWNER ELECTS TO HAVE DRY UTILITIES INSTALLED PRIOR TO STREET CONSTRUCTION NO CONDUIT FOR CPS & CABLE TV WILL BE INDICATED ON THIS PLAN. IF CONTRACTOR ELECTS TO PROCEED WITH ANY PORTION OF DRAIN CONSTRUCTION PRIOR TO UTILITY INSTALLATION, THEN CONTRACTOR WILL BE REQUIRED TO INSTALL ALL DRY UTILITY CONDUIT REQUIRED AT EACH DRAIN CROSSING AT NO EXTRA PAY.

**LEGEND**

EXISTING EDGE OF PAVEMENT	----	EXISTING SANITARY SEWER MAIN	-----
EXISTING SANITARY SEWER MAIN	-----	PROPOSED SANITARY SEWER MAIN	-----
PROPOSED SANITARY SEWER MAIN	-----	EXISTING WATER MAIN	-----
EXISTING WATER MAIN	-----	PROPOSED WATER MAIN	-----
PROPOSED WATER MAIN	-----	PROPOSED WATER MAIN (CUL-DE-SAC)	-----
EXISTING GAS MAIN	-----	PROPOSED GAS MAIN	-----
PROPOSED GAS MAIN	-----	EXISTING UNDERGROUND TELEPHONE	-----
EXISTING UNDERGROUND TELEPHONE	-----	PROPOSED UNDERGROUND TELEPHONE	-----
EXISTING UNDERGROUND ELECTRIC	-----	PROPOSED UNDERGROUND ELECTRIC	-----
PROPOSED UNDERGROUND ELECTRIC	-----	EXISTING OVERHEAD ELECTRIC	-----
EXISTING OVERHEAD ELECTRIC	-----	PROPOSED OVERHEAD ELECTRIC	-----
PROPOSED OVERHEAD ELECTRIC	-----	EXISTING OVERHEAD TELEPHONE	-----
EXISTING OVERHEAD TELEPHONE	-----	PROPOSED OVERHEAD TELEPHONE	-----
PROPOSED OVERHEAD TELEPHONE	-----	EXISTING UNDERGROUND CABLE T.V.	-----
EXISTING UNDERGROUND CABLE T.V.	-----	PROPOSED UNDERGROUND CABLE T.V.	-----
PROPOSED UNDERGROUND CABLE T.V.	-----	EXISTING OVERHEAD CABLE T.V.	-----
EXISTING OVERHEAD CABLE T.V.	-----	PROPOSED OVERHEAD CABLE T.V.	-----
PROPOSED OVERHEAD CABLE T.V.	-----	FIRE HYDRANT	-----
FIRE HYDRANT	-----	GAS, ELECTRIC, TELEPHONE & CABLE T.V. EASEMENT	-----
GAS, ELECTRIC, TELEPHONE & CABLE T.V. EASEMENT	-----	PROPOSED STREET LIGHT (100 WATT/SINGLE ARM)	-----
PROPOSED STREET LIGHT (100 WATT/SINGLE ARM)	-----	PROPOSED STREET LIGHT (250 WATT/SINGLE ARM)	-----
PROPOSED STREET LIGHT (250 WATT/SINGLE ARM)	-----	EXISTING STREET LIGHT	-----
EXISTING STREET LIGHT	-----	HIGH DENSITY POLYETHYLENE	-----
HIGH DENSITY POLYETHYLENE	-----	EXISTING SANITARY SEWER LATERAL	-----
EXISTING SANITARY SEWER LATERAL	-----	SANITARY SEWER LATERAL	-----
SANITARY SEWER LATERAL	-----	WATER SERVICE	-----
WATER SERVICE	-----	IRRIGATION SERVICE	-----
IRRIGATION SERVICE	-----		



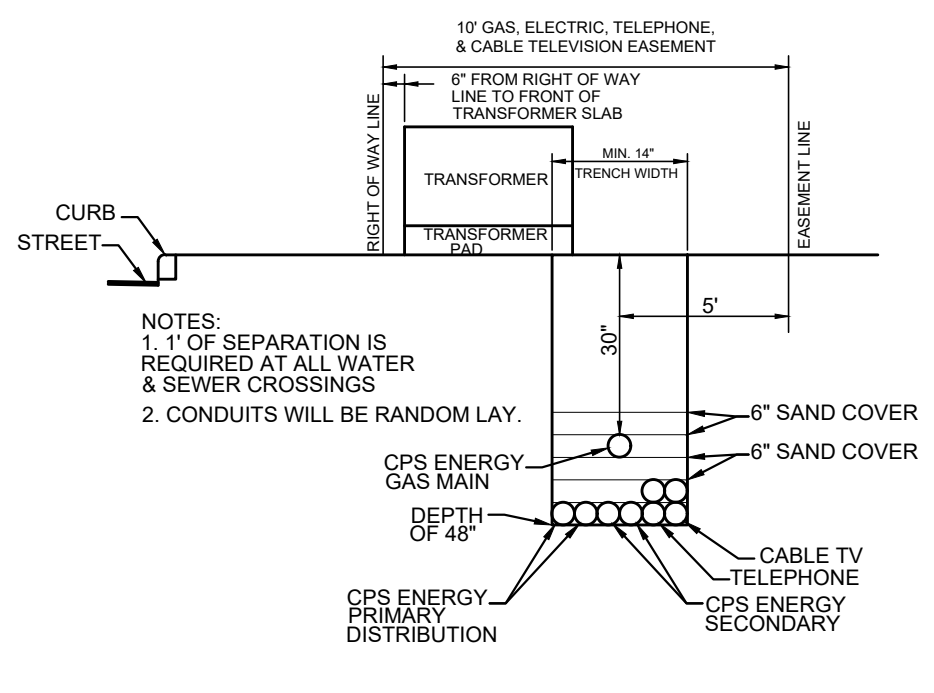
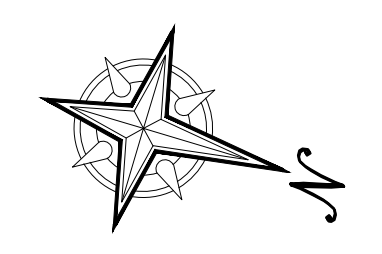
JOINT TRENCH DETAIL  
NOT TO SCALE



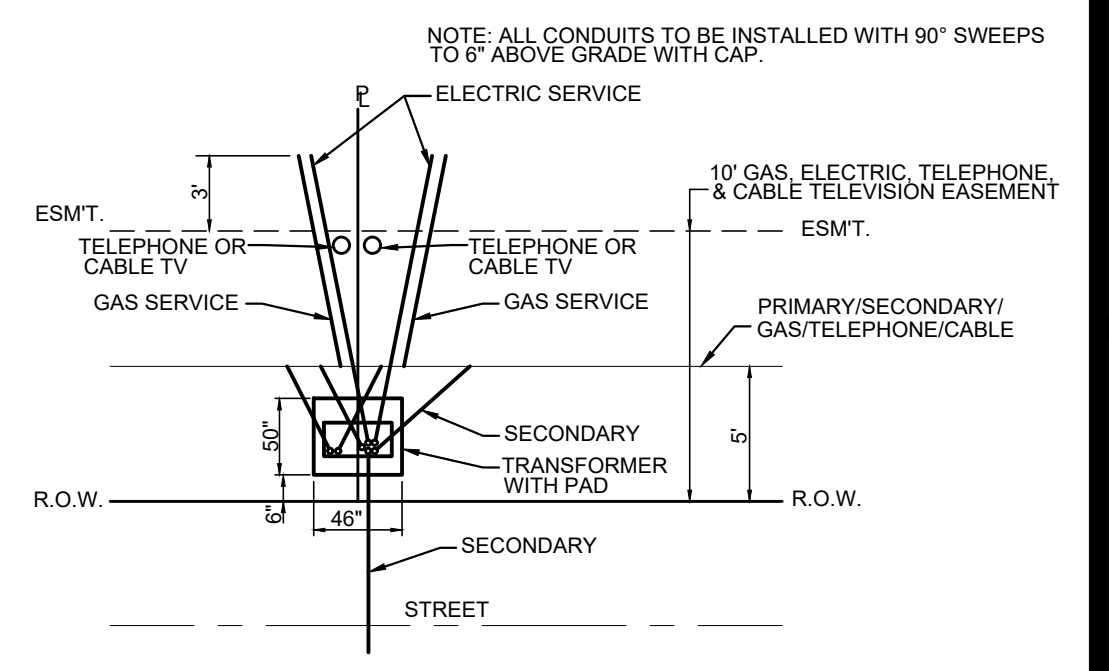
INDEX MAP  
N.T.S.

Sheet List Table

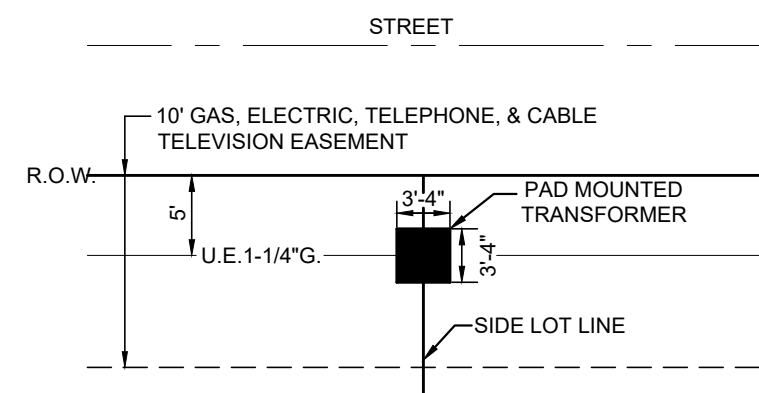
Sheet Number	Sheet Title
200	UTILITY COVER
201	OVERALL UTILITY PLAN



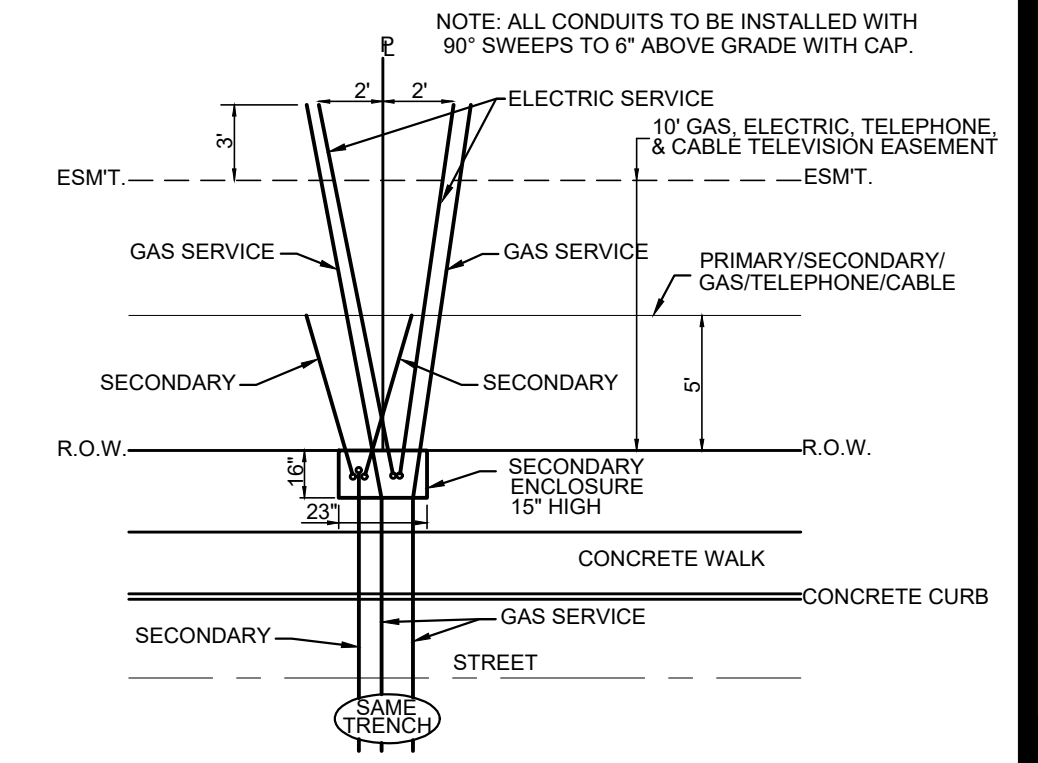
TRENCH DIAGRAM  
STANDARDS FOR GAS & ELECTRIC TRENCH  
OR ELECTRIC TRENCH WITH JOINT UTILITIES  
NOT TO SCALE



TYPICAL TRANSFORMER DETAIL  
NOT TO SCALE

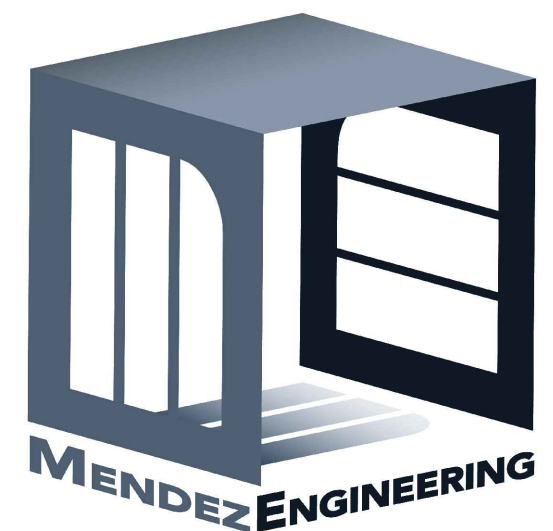


EASEMENT DETAILS  
NOT TO SCALE



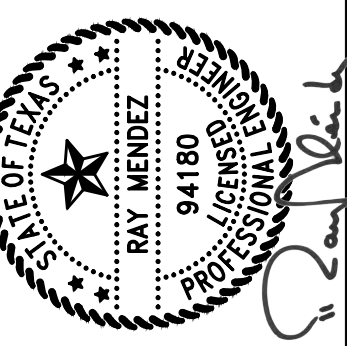
SECONDARY ENCLOSURE DETAIL  
NOT TO SCALE

PREPARED BY:



**MENDEZ ENGINEERING**  
Registration # F-14070  
888 Isom Road, Suite 200  
San Antonio, Texas 78216  
Office: 210-802-0808  
www.MendezEngineering.com

OWNER/DEVELOPER:  
JMY JR 1346 LLC  
MIKE YANTIS, JR.  
2806 W. BITTERS ROAD, STE 227  
SAN ANTONIO, TX 78248



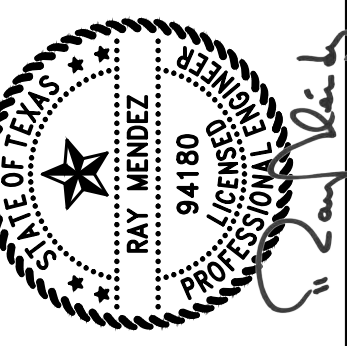
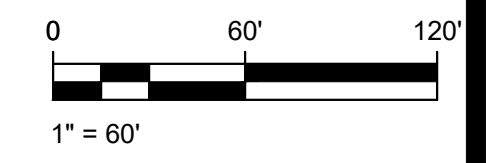
RANDOLPH LANDING  
UTILITY COVER

JMY JR 1346 LLC  
MIKE YANTIS, JR.  
2806 W. BITTERS ROAD,  
STE 227 SAN ANTONIO,  
TEXAS 78248

REV	DATE	DESCRIPTION

DESIGNED BY: C.P.  
DRAFTED BY: G.P./E.Z.  
CHECKED BY: C.P.  
DATE: 08/01/25  
SHEET  
**200**

Drawn: JMY, JY, R, B, S, Y, M, E, C, P, E, Z. Checked: G.P./E.Z. Date: 08/01/25. Title: UTILITY COVER SHEET 200. Project: 1346. Client: JMY JR 1346 LLC. Location: 2806 W. BITTERS ROAD, STE 227 SAN ANTONIO, TX 78248. License: F-14070. Registration: 08/01/25. Scale: AS SHOWN. Notes: SEE ALL SHEETS FOR COMPLETE INFORMATION.



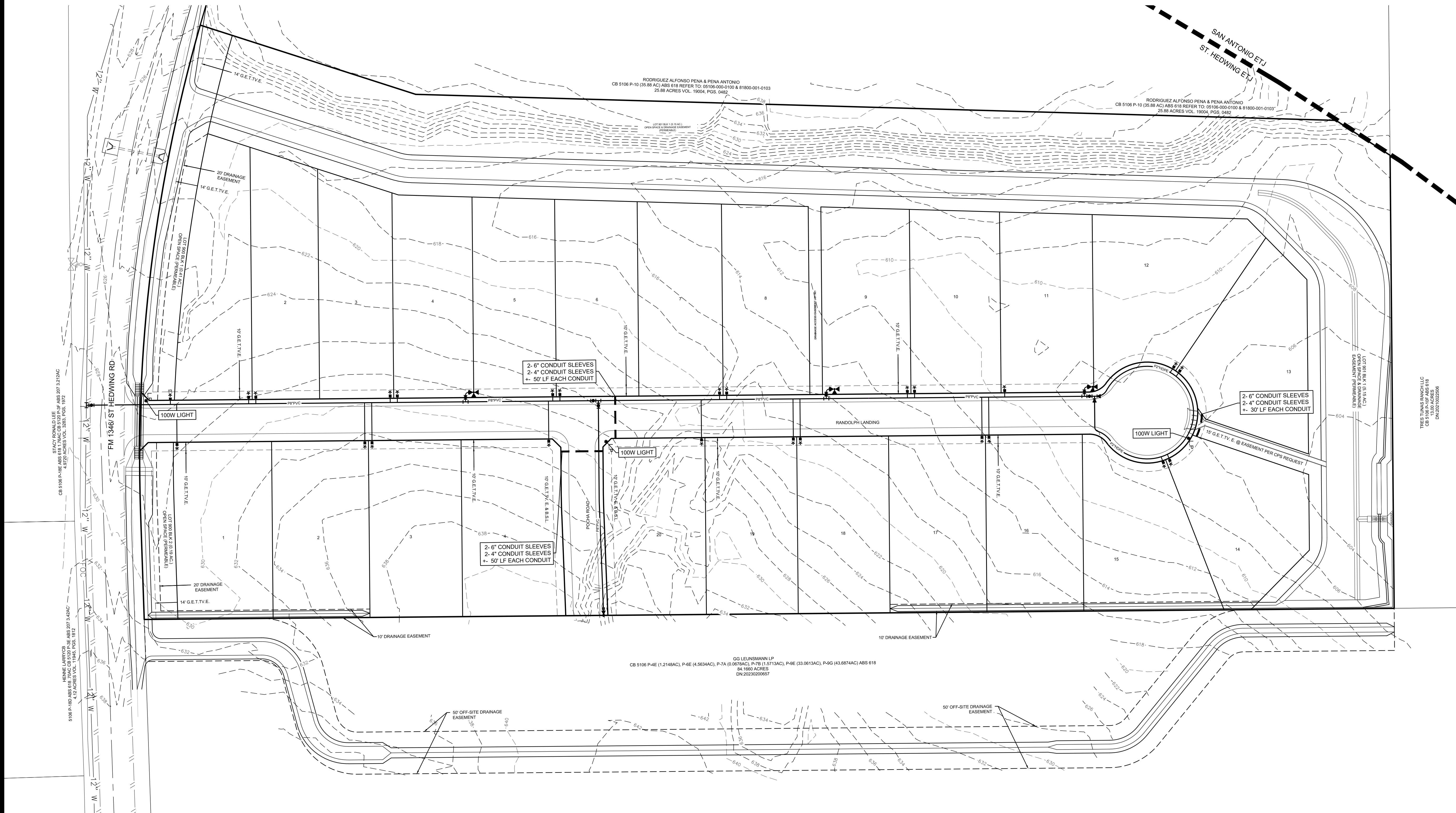
**MENDEZ ENGINEERING**  
 Registration # F-14070  
 888 Isom Road Suite 200, San Antonio, Texas 78216  
 Office: 210-802-9808  
 www.MendezEngineering.com

**RANDOLPH LANDING**  
**OVERALL UTILITY PLAN**

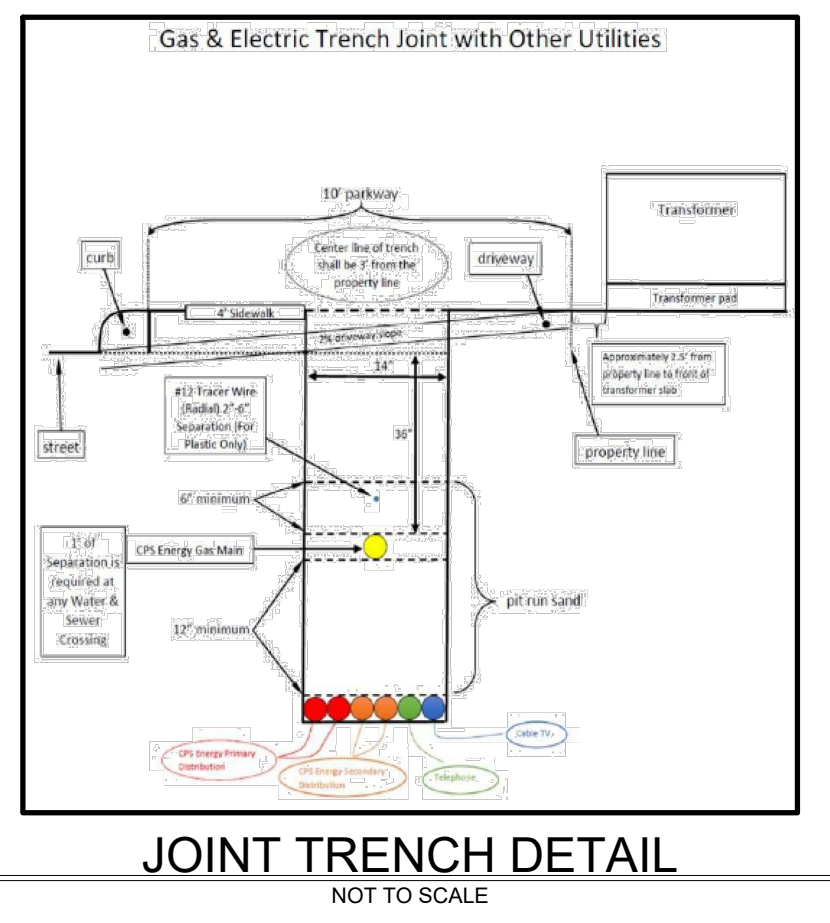
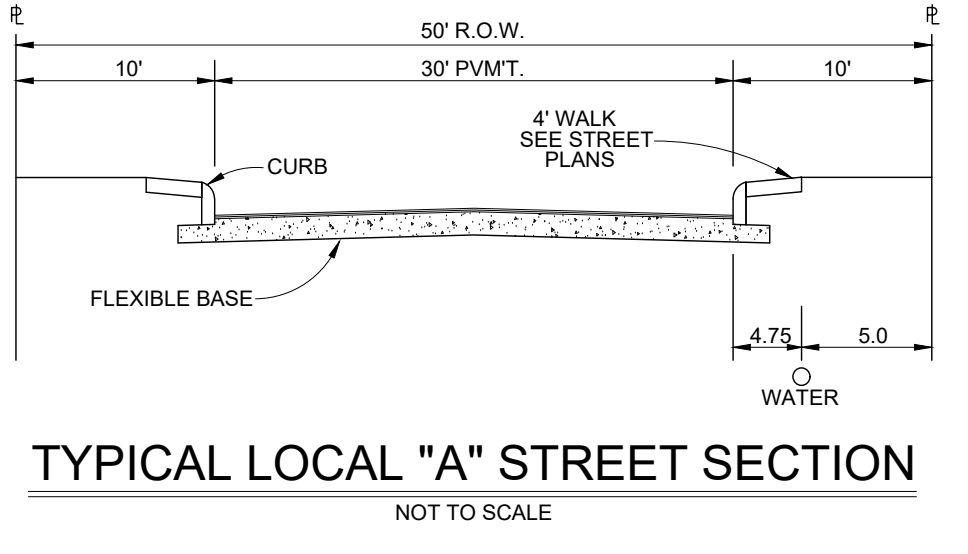
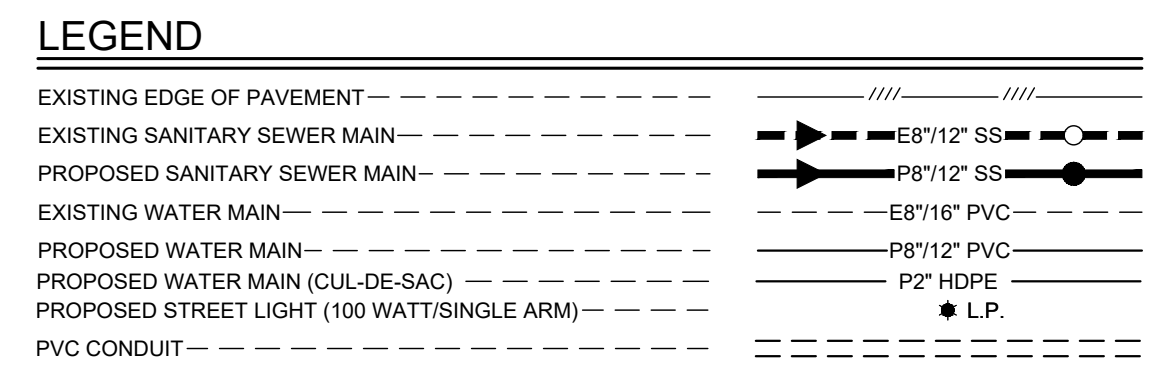
JMY JR 1346 LLC  
 MIKE YANTIS, JR.  
 2806 W. BITTERS ROAD,  
 STE 227 SAN ANTONIO,  
 TEXAS 78248

NO.	DATE	DESCRIPTION

DESIGNED BY: C.P.  
 DRAFTED BY: G.P./E.Z.  
 CHECKED BY: C.P.  
 DATE: 08/01/25



- NOTE:**
- 6" P.V.C. SCHEDULE 80 CONDUIT WILL BE REQUIRED FOR C.P.S. UTILITY CROSSING FROM ROW TO ROW AT A DEPTH OF 36" BELOW FINAL GRADE, WHEN STREET OR DRAIN CONSTRUCTION PRECEDES UTILITY INSTALLATION.
  - 4" P.V.C. SCHEDULE 40 CONDUIT WILL BE REQUIRED FOR UNDERGROUND TELEPHONE AND CABLE T.V. FROM ROW TO ROW AT A DEPTH OF 36" BELOW FINAL GRADE, WHEN STREET OR DRAIN CONSTRUCTION PRECEDES UTILITY INSTALLATION.
  - P.V.C. CONDUIT SHALL HAVE 90° SWEEPS/BENDS TO 6" ABOVE GRADE WITH CAP. IF CONDUIT IS NOT INSTALLED 6" ABOVE FINAL GRADE IT SHALL BE CONTRACTORS RESPONSIBILITY TO UNDERCOVER CONDUIT ENDS FOR EACH UTILITY PROVIDER AS NECESSARY.
  - IF OWNER ELECTS TO HAVE DRY UTILITIES INSTALLED PRIOR TO STREET CONSTRUCTION NO CONDUIT FOR CPS & CABLE TV WILL BE INDICATED ON THIS PLAN. IF CONTRACTOR ELECTS TO PROCEED WITH ANY PORTION OF DRAIN CONSTRUCTION PRIOR TO UTILITY INSTALLATION, THEN CONTRACTOR WILL BE REQUIRED TO INSTALL ALL DRY UTILITY CONDUIT REQUIRED AT EACH DRAIN CROSSING AT NO EXTRA PAY.



**TRENCH EXCAVATION SAFETY PROTECTION**  
 CONTRACTOR AND/OR CONTRACTOR'S INDEPENDENTLY RETAINED EMPLOYEE OR STRUCTURAL DESIGN/GEOTECHNICAL/SAFETY/EQUIPMENT CONSULTANT, IF ANY, SHALL REVIEW THESE PLANS AND AVAILABLE GEOTECHNICAL INFORMATION AND THE ANTICIPATED INSTALLATION SITE(S) WITHIN THE PROJECT WORK AREA IN ORDER TO IMPLEMENT CONTRACTOR'S TRENCH EXCAVATION SAFETY PROTECTION SYSTEMS, PROGRAMS AND/OR PROCEDURES. THE CONTRACTOR'S IMPLEMENTATION OF THE SYSTEMS, PROGRAMS AND/OR PROCEDURES SHALL PROVIDE FOR ADEQUATE TRENCH EXCAVATION, SAFETY PROTECTION THAT COMPLIES WITH AS A MINIMUM, OSHA STANDARDS FOR TRENCH EXCAVATIONS. SPECIFICALLY, CONTRACTOR AND/OR CONTRACTOR'S INDEPENDENTLY RETAINED EMPLOYEE OR SAFETY CONSULTANT SHALL IMPLEMENT A TRENCH SAFETY PROGRAM IN ACCORDANCE WITH OSHA STANDARDS GOVERNING THE PRESENCE AND ACTIVITIES OF INDIVIDUALS WORKING IN AND AROUND TRENCH EXCAVATION.

Date: 08/01/25, 8:00am, User: G. E. Yantis, Jr., P.E.  
 Path: \\server\projects\2025\250801\250801\_250801\250801\_250801.dwg