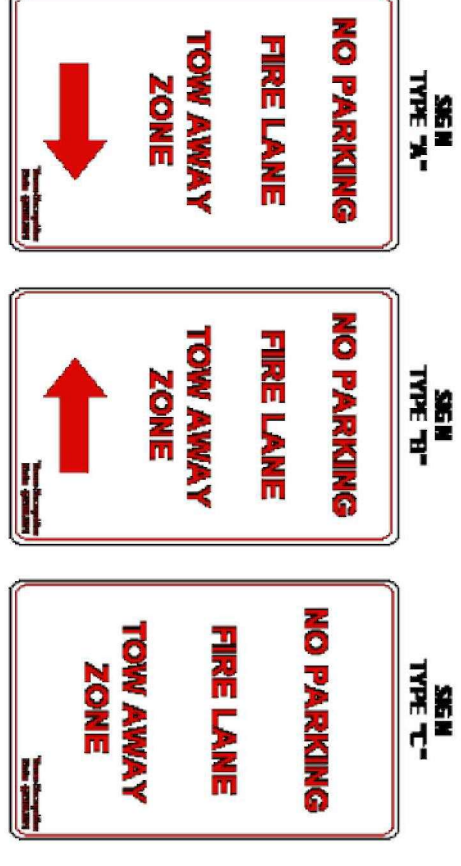
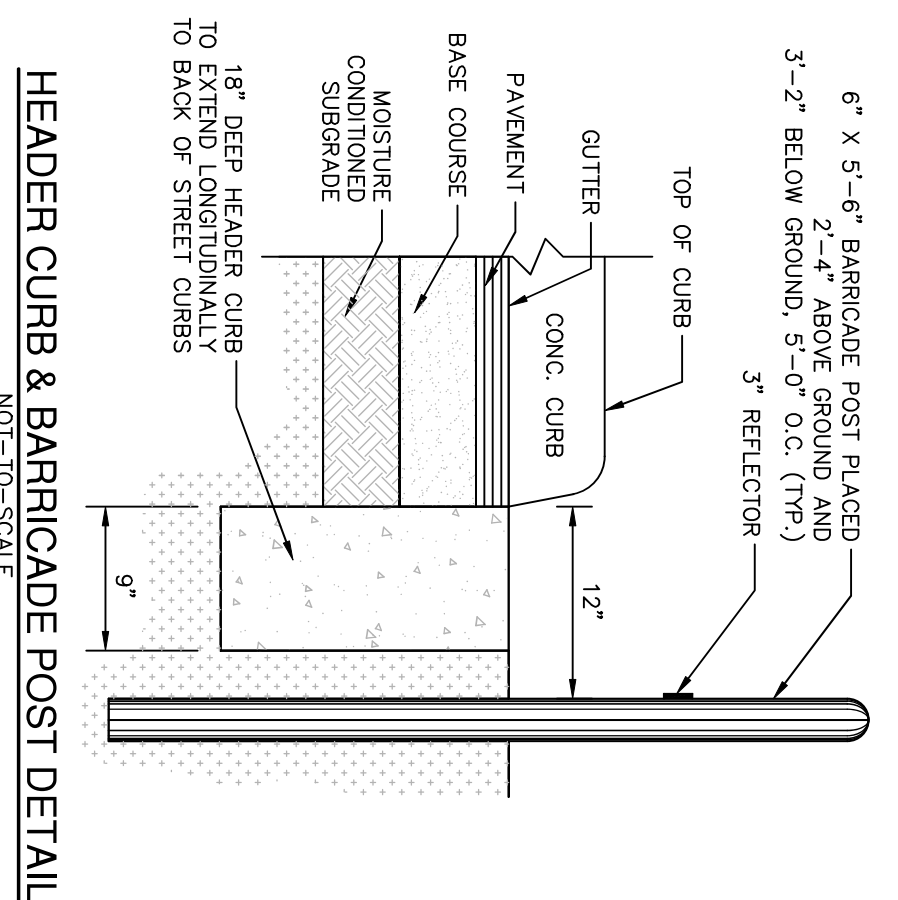


SYMBOL	ITEM NUMBER	SYMBOL	ITEM NUMBER
	-		53134
	-		53136
	502.1		53133
	-		-
	537.8		-
	531.57		

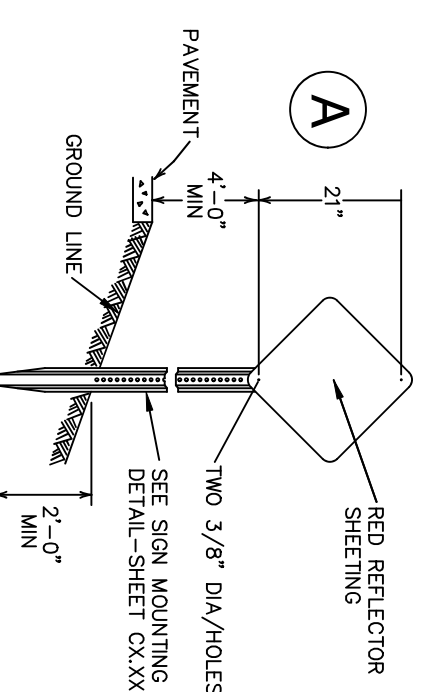


FIRE LANE SIGNAGE NOTES:

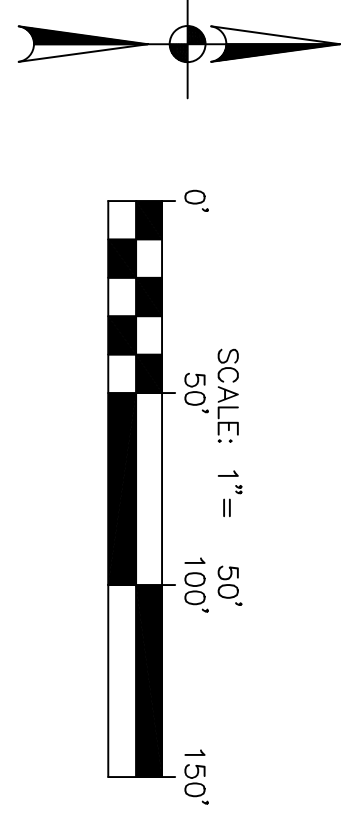
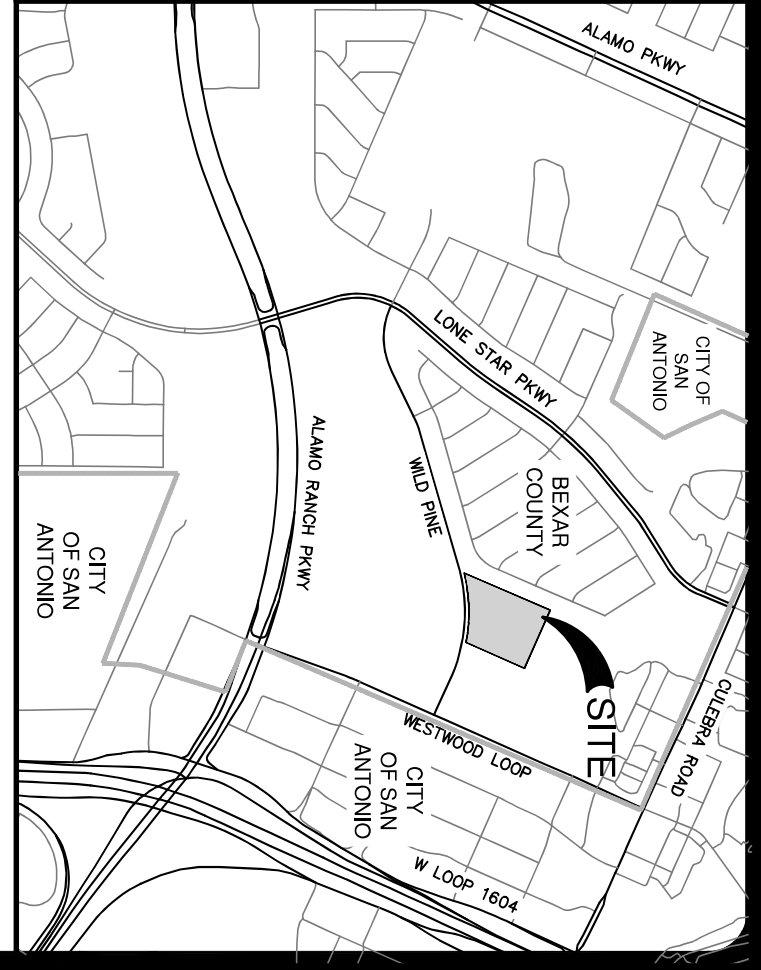
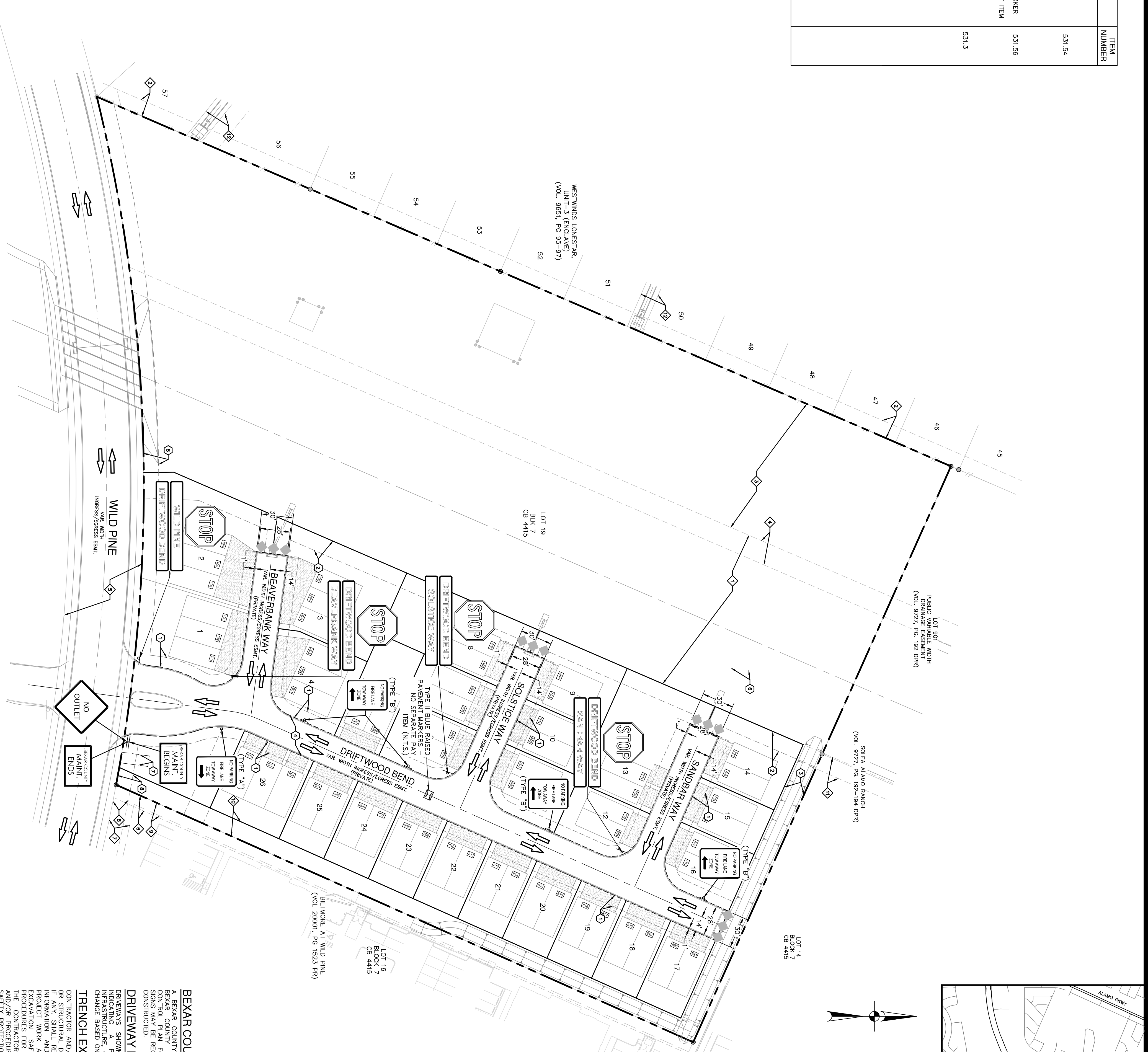
- SIGNS SHALL BE MIN SIZE 12"x18" AND HAVE RED LETTERS ON A WHITE REFLECTIVE BACKGROUND.
- SIGNS SHALL BE MOUNTED WITH THE BOTTOM EDGE OF THE SIGN AT LEAST SEVEN (7) FEET ABOVE GRADE AND AT LEAST TWO (2) FEET FROM CURB EDGE.
- SIGNS SHALL BE PLACED AS FOLLOWS:
 - FIRE LANE SIGNS SHALL BE POSTED ON BOTH SIDES OF FIRE APPARATUS ACCESS ROADS THAT ARE 20 TO 26 FEET WIDE.
 - FIRE LANE SIGNS SHALL BE POSTED ON ONE SIDE OF FIRE APPARATUS ACCESS ROADS MORE THAN 26 FEET WIDE AND LESS THAN 32 FEET WIDE.
- SIGNS TO BE PLACED IN ACCORDANCE WITH THE 2021 INTERNATIONAL FIRE CODE AND SAN ANTONIO'S FIRE CODE AMENDMENTS. THE CONTRACTOR SHALL COORDINATE WITH THE FIRE INSPECTOR FOR APPROVED SIGN LOCATIONS.



HEADER CURB & BARRICADE POST DETAIL
 NOT TO SCALE



UNITS MOUNTED ON 0.090" THICK SHEET ALUMINUM
 6061-T6 SPECIFICATION
 TYPE 4 0M4-3
 18" x 18"
 NOT TO SCALE



KEY NOTES LEGEND

- ① 10' GAS, ELEC, TELE AND CATV ESMIT
- ② VAR WD DRAINAGE AND ACCESS ESMIT
- ③ 20' DRAINAGE ESMIT
- ④ VAR WD IRRIGABLE INGRESS/EGRESS, DRAINAGE, SANITARY, WATER, GAS, ELEC, TELE AND CATV ESMIT
- ⑤ 14" X 26" WATER ESEMENT
- ⑥ 16" SANITARY SEWER ESEMENT
- ⑦ VARIABLE WIDTH WATER ESEMENT
- ⑧ 14" GAS, ELEC, TELE AND CATV ESMIT
- ⑨ VAR WD DRAINAGE ESMIT
- ⑩ 14" ELEC, GAS, TEL, CATV AND OH ESMIT (VOL. 9514, PG 110-112, DPR)
- ⑪ 15% ELEC ESMIT AND ROW (VOL. 6187, PG 285-288, DR)
- ⑫ 20' SANITARY SEWER ESMIT (VOL. 15789, PG 1574, DPR)
- ⑬ 70' ROW (VOL. 9649, PG 48-49, DPR)
- ⑭ 10' SIDE BUILDING SETBACK (VOL. 20001, PG 1923, PR)
- ⑮ 14' GAS, ELEC, TELE AND CATV ESMIT (VOL. 20001, PG 1923, PR)
- ⑯ 20' FRONT BUILDING SETBACK (VOL. 9649, PG 48-49, DPR)
- ⑰ 16" ELEC ESMIT (VOL. 9649, PG 48-49, DPR)
- ⑱ 16" ELEC ESMIT (VOL. 9649, PG 48-49, DPR)
- ⑲ 15' PUBLIC DRAINAGE ESMIT (VOL. 9727, PG 192-194, PR)
- ⑳ GREENBELT AND 15' SANITARY SEWER DRAINAGE GAS, ELEC, TELE, WATER (VOL. 9651, PG 53-57, DPR)
- ㉑ 16" ELEC, GAS, TELE AND CATV ESMIT (VOL. 9651, PG 56-57, DPR)

BEHAR COUNTY ROW NOTES:

A BEHAR COUNTY ROW PERMIT MUST BE OBTAINED BEFORE WORKING IN BEHAR COUNTY FROM ALL CONTRACTORS. SHALL COORDINATE A TRAFFIC SIGNAGE PLAN WITH BEHAR COUNTY. TRAFFIC SIGNAGE SHALL BE PLACED IN ACCORDANCE WITH THE BEHAR COUNTY TRAFFIC CONTROL MANUAL. BEHAR COUNTY TRAFFIC CONTROL MANUAL IS SUBJECT TO CHANGE BASED ON HOME SELECTION AND FINAL LOT DESIGN.

TRENCH EXCAVATION SAFETY PROTECTION:

CONTRACTOR AND/OR CONTRACTORS INDEPENDENTLY RETAINED EMPLOYEES SHALL BE RESPONSIBLE FOR OBTAINING ALL NECESSARY PERMITS AND FOR THE PROTECTION OF ALL EXISTING UTILITIES AND STRUCTURES. CONTRACTORS SHALL PROVIDE ADEQUATE TRENCH EXCAVATION SAFETY PROTECTION FOR ALL TRENCH EXCAVATIONS. CONTRACTORS SHALL MAINTAIN ACCESS TO ALL ADJACENT PROPERTIES AT ALL TIMES. CONTRACTORS SHALL MAINTAIN A TRENCH SAFETY PROGRAM IN ACCORDANCE WITH ALL APPLICABLE REGULATIONS AND STANDARDS. CONTRACTORS SHALL MAINTAIN A TRENCH SAFETY PROGRAM IN ACCORDANCE WITH ALL APPLICABLE REGULATIONS AND STANDARDS. CONTRACTORS SHALL MAINTAIN A TRENCH SAFETY PROGRAM IN ACCORDANCE WITH ALL APPLICABLE REGULATIONS AND STANDARDS.

DRIVEWAY NOTE:

DRIVEWAYS SHOWN ON THIS PLAN ARE FOR THE SOLE PURPOSE OF PROVIDING ACCESS TO THE DRIVEWAY FROM THE DRIVEWAY. CONTRACTORS SHALL MAINTAIN ACCESS TO ALL ADJACENT PROPERTIES AT ALL TIMES. CONTRACTORS SHALL MAINTAIN A TRENCH SAFETY PROGRAM IN ACCORDANCE WITH ALL APPLICABLE REGULATIONS AND STANDARDS. CONTRACTORS SHALL MAINTAIN A TRENCH SAFETY PROGRAM IN ACCORDANCE WITH ALL APPLICABLE REGULATIONS AND STANDARDS.

<p>WILD PINE SAN ANTONIO, TEXAS OVERALL SIGNAGE PLAN</p>	<p>PAPE-DAWSON 2000 HW LOOP 410 SAN ANTONIO, TX 78213 210.375.9000 TEXAS ENGINEERING FIRM #470 TEXAS SURVEYING FIRM #10028800</p>	<p>NO. REVISION DATE</p>	<p>PLAT NO. 25-11800373 JOB NO. 13657-13 DATE NOVEMBER 2025 DESIGNER JA DRAMM CHECKED JA DRAMM SHEET C3.00</p>
--	--	--------------------------	---